

## Important Information for the User

## Важная пользовательская информация

HIDE-AWAY NAVIGATION SYSTEM

НАВИГАЦИОННАЯ СИСТЕМА СКРЫТОЙ УСТАНОВКИ

# AVIC-F220

Be sure to read both this leaflet and Operation Manual contained on the CD-ROM accompanying this navigation system! Both documents include important information that you must understand before using this navigation system.

Изучите как данное руководство, так и Руководство по эксплуатации, которое содержится на диске CD-ROM, прилагаемом к навигационной системе! Оба документа содержат важную информацию, с которой необходимо ознакомиться перед эксплуатацией навигационной системы.

## Declaration of Conformity with regard to the R&TTE Directive 1999/5/EC

Manufacturer:

**Pioneer Corporation**

1-1, Shin-ogura, Saiwai-ku, Kawasaki-shi,  
Kanagawa 212-0031, Japan

EU Representative's:

**Pioneer Europe NV**

Haven 1087, Keetberglaan 1,  
9120 Melsele, Belgium  
<http://www.pioneer.eu>



English:

Hereby, Pioneer, declares that this AVIC-F220 is in compliance with the essential requirements and other relevant provisions of Directive 1999/5/EC.

Suomi:

Pioneer vakuuttaa täten että AVIC-F220 tyyppinen laite on direktiivin 1999/5/EY oleellisten vaatimusten ja sitä koskevien direktiivin muiden ehtojen mukainen.

Nederlands:

Hierbij verklaart Pioneer dat het toestel AVIC-F220 in overeenstemming is met de essentiële eisen en de andere relevante bepalingen van richtlijn 1999/5/EG

Français:

Par la présente Pioneer déclare que l'appareil AVIC-F220 est conforme aux exigences essentielles et aux autres dispositions pertinentes de la directive 1999/5/CE

Svenska:

Härmed intygar Pioneer att denna AVIC-F220 står i överensstämmelse med de väsentliga egenskapskrav och övriga relevanta bestämmelser som framgår av direktiv 1999/5/EG.

Dansk:

Undertegnede Pioneer erklærer herved, at følgende udstyr AVIC-F220 overholder de væsentlige krav og øvrige relevante krav i direktiv 1999/5/EF

Deutsch:

Hiermit erkläre Pioneer, dass sich dieses AVIC-F220 in Übereinstimmung mit den grundlegenden Anforderungen und den anderen relevanten Vorschriften der Richtlinie 1999/5/EG befindet". (BMW)

Ελληνικά:

ΜΕ ΤΗΝ ΠΑΡΟΥΣΑ Pioneer ΔΗΛΩΝΕΙ ΟΤΙ AVIC-F220 ΣΥΜΜΟΡΦΩΝΕΤΑΙ ΠΡΟΣ ΤΙΣ ΟΥΣΙΩΔΕΙΣ ΑΠΑΙΤΗΣΕΙΣ ΚΑΙ ΤΙΣ ΛΟΙΠΕΣ ΣΧΕΤΙΚΕΣ ΔΙΑΤΑΞΕΙΣ ΤΗΣ ΟΔΗΓΙΑΣ 1999/5/ΕΚ

Italiano:

Con la presente Pioneer dichiara che questo AVIC-F220 è conforme ai requisiti essenziali ed alle altre disposizioni pertinenti stabilite dalla direttiva 1999/5/CE.

Español:

Por medio de la presente Pioneer declara que el AVIC-F220 cumple con los requisitos esenciales y cualesquiera otras disposiciones aplicables o exigibles de la Directiva 1999/5/CE

Português:

Pioneer declara que este AVIC-F220 está conforme com os requisitos essenciais e outras disposições da Directiva 1999/5/CE.

Čeština:

Pioneer tímto prohlašuje, že tento AVIC-F220 je ve shodě se základními požadavky a dalšími příslušnými ustanoveními směrnice 1999/5/ES

Eesti:

Käesolevaga kinnitab Pioneer seadme AVIC-F220 vastavust direktiivi 1999/5/EÜ põhinõuetele ja nimetatud direktiivist tulenevatele teistele asjakohastele sätetele.

Magyar:

Alulírott, Pioneer nyilatkozom, hogy a AVIC-F220 megfelel a vonatkozó alapvető követelményeknek és az 1999/5/EK irányelv egyéb előírásainak.

Latviešu valoda:

Ar šo Pioneer deklarē, ka AVIC-F220 atbilst Direktīvas 1999/5/EK būtiskajām prasībām un citiem ar to saistītajiem noteikumiem.

Lietuvių kalba:

Šiuo Pioneer deklaruoją, kad šis AVIC-F220 atitinka esminius reikalavimus ir kitas 1999/5/EB Direktyvos nuostatas.

Maltil:

Hawnhekk, Pioneer jiddikjara li dan AVIC-F220 jikkonforma mal-htigijiet essenzjali u ma provvedimenti oħrajn relevanti li hemm fid-Direttiva 1999/5/EC

Slovenčina:

Pioneer týmto vyhlasuje, že AVIC-F220 splňa základné požiadavky a všetky príslušné ustanovenia Smernice 1999/5/ES.

Slovenščina:

Pioneer izjavlja, da je ta AVIC-F220 v skladu z bistvenimi zahtevami in ostalimi relevantnimi določili direktive 1999/5/ES.

Română:

Prin prezenta, Pioneer declara ca acest AVIC-F220 este in conformitate cu cerintele esentiale si alte prevederi ale Directivei 1999/5/EU.

Български:

С настоящето, Pioneer декларира, че този AVIC-F220 отговаря на основните изисквания и други съответни постановления на Директива 1999/5/EC.

Polski:

Niniejszym Pioneer oświadczam, że AVIC-F220 jest zgodny z zasadniczymi wymogami oraz pozostałymi stosownymi postanowieniami Dyrektywy 1999/5/EC

Norsk:

Pioneer erklærer herved at utstyret AVIC-F220 er i samsvar med de grunnleggende krav og øvrige relevante krav i direktiv 1999/5/EF.

Íslenska:

Hér með lýsir Pioneer yfir því að AVIC-F220 er í samræmi við grunnkröfur og aðrar kröfur, sem gerðar eru í tilskipun 1999/5/EC

## 7-Zip

### License for use and distribution

7-Zip Copyright (C) 1999-2007 Igor Pavlov.

Licenses for files are:

- 1) 7z.dll: GNU LGPL + unRAR restriction
- 2) All other files: GNU LGPL

The GNU LGPL + unRAR restriction means that you must follow both GNU LGPL rules and unRAR restriction rules.

#### Note:

You can use 7-Zip on any computer, including a computer in a commercial organization. You don't need to register or pay for 7-Zip.

### GNU LGPL information

This library is free software; you can redistribute it and/or modify it under the terms of the GNU Lesser General Public License as published by the Free Software Foundation; either version 2,1 of the License, or (at your option) any later version.

This library is distributed in the hope that it will be useful, but WITHOUT ANY WARRANTY; without even the implied warranty of MERCHANTABILITY or FITNESS FOR A PARTICULAR PURPOSE. See the GNU Lesser General Public License for more details.

You should have received a copy of the GNU Lesser General Public License along with this library; if not, write to the Free Software Foundation, Inc., 59 Temple Place, Suite 330, Boston, MA 02111-1307 USA

### unRAR restriction

The decompression engine for RAR archives was developed using source code of unRAR program. All copyrights to original unRAR code are owned by Alexander Roshal.

The license for original unRAR code has the following restriction:

The unRAR sources cannot be used to re-create the RAR compression algorithm, which is proprietary. Distribution of modified unRAR sources in separate form or as a part of other software is permitted, provided that it is clearly stated in the documentation and source comments that the code may not be used to develop a RAR (WinRAR) compatible archiver.

## GNU LESSER GENERAL PUBLIC LICENSE

Version 2.1, February 1999

Copyright (C) 1991, 1999 Free Software Foundation, Inc. 59 Temple Place, Suite 330, Boston, MA 02111-1307 USA  
Everyone is permitted to copy and distribute verbatim copies of this license document, but changing it is not allowed.

[This is the first released version of the Lesser GPL. It also counts as the successor of the GNU Library Public License, version 2, hence the version number 2.1.]

### Preamble

The licenses for most software are designed to take away your freedom to share and change it. By contrast, the GNU General Public Licenses are intended to guarantee your freedom to share and change free software--to make sure the software is free for all its users.

This license, the Lesser General Public License, applies to some specially designated software packages--typically libraries--of the Free Software Foundation and other authors who decide to use it. You can use it too, but we suggest you first think carefully about whether this license or the ordinary General Public License is the better strategy to use in any particular case, based on the explanations below.

When we speak of free software, we are referring to freedom of use, not price. Our General Public Licenses are designed to make sure that you have the freedom to distribute copies of free software (and charge for this service if you wish); that you receive source code or can get it if you want it; that you can change the software and use pieces of it in new free programs; and that you are informed that you can do these things.

To protect your rights, we need to make restrictions that forbid distributors to deny you these rights or to ask you to surrender these rights. These restrictions translate to certain responsibilities for you if you distribute copies of the library or if you modify it.

For example, if you distribute copies of the library, whether gratis or for a fee, you must give the recipients all the rights that we gave you. You must make sure that they, too, receive or can get the source code. If you link other code with the library, you must provide complete object files to the recipients, so that they can relink them with the library after making changes to the library and recompiling it. And you must show them these terms so they know their rights.

We protect your rights with a two-step method: (1) we copyright the library, and (2) we offer you this license, which gives you legal permission to copy, distribute and/or modify the library.

To protect each distributor, we want to make it very clear that there is no warranty for the free library. Also, if the library is modified by someone else and passed on, the recipients should know that what they have is not the original version, so that the original author's reputation will not be affected by problems that might be introduced by others.

Finally, software patents pose a constant threat to the existence of any free program. We wish to make sure that a company cannot effectively restrict the users of a free

program by obtaining a restrictive license from a patent holder. Therefore, we insist that any patent license obtained for a version of the library must be consistent with the full freedom of use specified in this license.

Most GNU software, including some libraries, is covered by the ordinary GNU General Public License. This license, the GNU Lesser General Public License, applies to certain designated libraries, and is quite different from the ordinary General Public License. We use this license for certain libraries in order to permit linking those libraries into non-free programs.

When a program is linked with a library, whether statically or using a shared library, the combination of the two is legally speaking a combined work, a derivative of the original library. The ordinary General Public License therefore permits such linking only if the entire combination fits its criteria of freedom. The Lesser General Public License permits more lax criteria for linking other code with the library.

We call this license the "Lesser" General Public License because it does Less to protect the user's freedom than the ordinary General Public License. It also provides other free software developers Less of an advantage over competing non-free programs. These disadvantages are the reason we use the ordinary General Public License for many libraries. However, the Lesser license provides advantages in certain special circumstances.

For example, on rare occasions, there may be a special need to encourage the widest possible use of a certain library, so that it becomes a de-facto standard. To achieve this, non-free programs must be allowed to use the library. A more frequent case is that a free library does the same job as widely used non-free libraries. In this case, there is little to gain by limiting the free library to free software only, so we use the Lesser General Public License.

In other cases, permission to use a particular library in non-free programs enables a greater number of people to use a large body of free software. For example, permission to use the GNU C Library in non-free programs enables many more people to use the whole GNU operating system, as well as its variant, the GNU/Linux operating system.

Although the Lesser General Public License is Less protective of the users' freedom, it does ensure that the user of a program that is linked with the Library has the freedom and the wherewithal to run that program using a modified version of the Library.

The precise terms and conditions for copying, distribution and modification follow. Pay close attention to the difference between a "work based on the library" and a "work that uses the library". The former contains code derived from the library, whereas the latter must be combined with the library in order to run.

## **GNU LESSER GENERAL PUBLIC LICENSE**

### **TERMS AND CONDITIONS FOR COPYING, DISTRIBUTION AND MODIFICATION**

0. This License Agreement applies to any software library or other program which contains a notice placed by the copyright holder or other authorized party saying it may be

distributed under the terms of this Lesser General Public License (also called "this License"). Each licensee is addressed as "you".

A "library" means a collection of software functions and/or data prepared so as to be conveniently linked with application programs (which use some of those functions and data) to form executables.

The "Library", below, refers to any such software library or work which has been distributed under these terms. A "work based on the Library" means either the Library or any derivative work under copyright law: that is to say, a work containing the Library or a portion of it, either verbatim or with modifications and/or translated straightforwardly into another language. (Hereinafter, translation is included without limitation in the term "modification".)

"Source code" for a work means the preferred form of the work for making modifications to it. For a library, complete source code means all the source code for all modules it contains, plus any associated interface definition files, plus the scripts used to control compilation and installation of the library.

Activities other than copying, distribution and modification are not covered by this License; they are outside its scope. The act of running a program using the Library is not restricted, and output from such a program is covered only if its contents constitute a work based on the Library (independent of the use of the Library in a tool for writing it). Whether that is true depends on what the Library does and what the program that uses the Library does.

1. You may copy and distribute verbatim copies of the Library's complete source code as you receive it, in any medium, provided that you conspicuously and appropriately publish on each copy an appropriate copyright notice and disclaimer of warranty; keep intact all the notices that refer to this License and to the absence of any warranty; and distribute a copy of this License along with the Library.

You may charge a fee for the physical act of transferring a copy, and you may at your option offer warranty protection in exchange for a fee.

2. You may modify your copy or copies of the Library or any portion of it, thus forming a work based on the Library, and copy and distribute such modifications or work under the terms of Section 1 above, provided that you also meet all of these conditions:

- a) The modified work must itself be a software library.
- b) You must cause the files modified to carry prominent notices stating that you changed the files and the date of any change.
- c) You must cause the whole of the work to be licensed at no charge to all third parties under the terms of this License.
- d) If a facility in the modified Library refers to a function or a table of data to be supplied by an application program that uses the facility, other than as an argument passed when the facility is invoked, then you must make a good faith effort to ensure that, in the event an application does not supply such function or table, the facility still operates, and performs whatever part of its purpose remains meaningful.

(For example, a function in a library to compute square roots has a purpose that is entirely well-defined independent of the application. Therefore, Subsection 2d requires that any application-supplied function or table used by this function must be optional: if the application does not supply it, the square root function must still compute square roots.)

These requirements apply to the modified work as a whole. If identifiable sections of that work are not derived from the Library, and can be reasonably considered independent and separate works in themselves, then this License, and its terms, do not apply to those sections when you distribute them as separate works. But when you distribute the same sections as part of a whole which is a work based on the Library, the distribution of the whole must be on the terms of this License, whose permissions for other licensees extend to the entire whole, and thus to each and every part regardless of who wrote it.

Thus, it is not the intent of this section to claim rights or contest your rights to work written entirely by you; rather, the intent is to exercise the right to control the distribution of derivative or collective works based on the Library.

In addition, mere aggregation of another work not based on the Library with the Library (or with a work based on the Library) on a volume of a storage or distribution medium does not bring the other work under the scope of this License.

**3.** You may opt to apply the terms of the ordinary GNU General Public License instead of this License to a given copy of the Library. To do this, you must alter all the notices that refer to this License, so that they refer to the ordinary GNU General Public License, version 2, instead of to this License. (If a newer version than version 2 of the ordinary GNU General Public License has appeared, then you can specify that version instead if you wish.) Do not make any other change in these notices.

Once this change is made in a given copy, it is irreversible for that copy, so the ordinary GNU General Public License applies to all subsequent copies and derivative works made from that copy.

This option is useful when you wish to copy part of the code of the Library into a program that is not a library.

**4.** You may copy and distribute the Library (or a portion or derivative of it, under Section 2) in object code or executable form under the terms of Sections 1 and 2 above provided that you accompany it with the complete corresponding machine-readable source code, which must be distributed under the terms of Sections 1 and 2 above on a medium customarily used for software interchange.

If distribution of object code is made by offering access to copy from a designated place, then offering equivalent access to copy the source code from the same place satisfies the requirement to distribute the source code, even though third parties are not compelled to copy the source along with the object code.

**5.** A program that contains no derivative of any portion of the Library, but is designed to work with the Library by being compiled or linked with it, is called a "work that uses the Library". Such a work, in isolation, is not a derivative

work of the Library, and therefore falls outside the scope of this License.

However, linking a "work that uses the Library" with the Library creates an executable that is a derivative of the Library (because it contains portions of the Library), rather than a "work that uses the library". The executable is therefore covered by this License.

Section 6 states terms for distribution of such executables.

When a "work that uses the Library" uses material from a header file that is part of the Library, the object code for the work may be a derivative work of the Library even though the source code is not.

Whether this is true is especially significant if the work can be linked without the Library, or if the work is itself a library. The threshold for this to be true is not precisely defined by law.

If such an object file uses only numerical parameters, data structure layouts and accessors, and small macros and small inline functions (ten lines or less in length), then the use of the object file is unrestricted, regardless of whether it is legally a derivative work. (Executables containing this object code plus portions of the Library will still fall under Section 6.)

Otherwise, if the work is a derivative of the Library, you may distribute the object code for the work under the terms of Section 6.

Any executables containing that work also fall under Section 6, whether or not they are linked directly with the Library itself.

**6.** As an exception to the Sections above, you may also combine or link a "work that uses the Library" with the Library to produce a work containing portions of the Library, and distribute that work under terms of your choice, provided that the terms permit modification of the work for the customer's own use and reverse engineering for debugging such modifications.

You must give prominent notice with each copy of the work that the Library is used in it and that the Library and its use are covered by this License. You must supply a copy of this License. If the work during execution displays copyright notices, you must include the copyright notice for the Library among them, as well as a reference directing the user to the copy of this License. Also, you must do one of these things:

- a) Accompany the work with the complete corresponding machine-readable source code for the Library including whatever changes were used in the work (which must be distributed under Sections 1 and 2 above); and, if the work is an executable linked with the Library, with the complete machine-readable "work that uses the Library", as object code and/or source code, so that the user can modify the Library and then relink to produce a modified executable containing the modified Library. (It is understood that the user who changes the contents of definitions files in the Library will not necessarily be able to recompile the application to use the modified definitions.)
- b) Use a suitable shared library mechanism for linking with the Library. A suitable mechanism is one that (1) uses at run time a copy of the library already present on the user's computer system, rather than copying library functions into the executable, and (2) will oper-

ate properly with a modified version of the library, if the user installs one, as long as the modified version is interface-compatible with the version that the work was made with,

- c) Accompany the work with a written offer, valid for at least three years, to give the same user the materials specified in Subsection 6a, above, for a charge no more than the cost of performing this distribution.
- d) If distribution of the work is made by offering access to copy from a designated place, offer equivalent access to copy the above specified materials from the same place.
- e) Verify that the user has already received a copy of these materials or that you have already sent this user a copy.

For an executable, the required form of the "work that uses the Library" must include any data and utility programs needed for reproducing the executable from it. However, as a special exception, the materials to be distributed need not include anything that is normally distributed (in either source or binary form) with the major components (compiler, kernel, and so on) of the operating system on which the executable runs, unless that component itself accompanies the executable.

It may happen that this requirement contradicts the license restrictions of other proprietary libraries that do not normally accompany the operating system. Such a contradiction means you cannot use both them and the Library together in an executable that you distribute.

7. You may place library facilities that are a work based on the Library side-by-side in a single library together with other library facilities not covered by this License, and distribute such a combined library, provided that the separate distribution of the work based on the Library and of the other library facilities is otherwise permitted, and provided that you do these two things:

- a) Accompany the combined library with a copy of the same work based on the Library, uncombined with any other library facilities. This must be distributed under the terms of the Sections above.
- b) Give prominent notice with the combined library of the fact that part of it is a work based on the Library, and explaining where to find the accompanying uncombined form of the same work.

8. You may not copy, modify, sublicense, link with, or distribute the Library except as expressly provided under this License. Any attempt otherwise to copy, modify, sublicense, link with, or distribute the Library is void, and will automatically terminate your rights under this License. However, parties who have received copies, or rights, from you under this License will not have their licenses terminated so long as such parties remain in full compliance.

9. You are not required to accept this License, since you have not signed it. However, nothing else grants you permission to modify or distribute the Library or its derivative works. These actions are prohibited by law if you do not accept this License. Therefore, by modifying or distributing the Library (or any work based on the Library), you indicate your acceptance of this License to do so, and all its terms

and conditions for copying, distributing or modifying the Library or works based on it.

10. Each time you redistribute the Library (or any work based on the Library), the recipient automatically receives a license from the original licensor to copy, distribute, link with or modify the Library subject to these terms and conditions. You may not impose any further restrictions on the recipients' exercise of the rights granted herein. You are not responsible for enforcing compliance by third parties with this License.

11. If, as a consequence of a court judgment or allegation of patent infringement or for any other reason (not limited to patent issues), conditions are imposed on you (whether by court order, agreement or otherwise) that contradict the conditions of this License, they do not excuse you from the conditions of this License. If you cannot distribute so as to satisfy simultaneously your obligations under this License and any other pertinent obligations, then as a consequence you may not distribute the Library at all. For example, if a patent license would not permit royalty-free redistribution of the Library by all those who receive copies directly or indirectly through you, then the only way you could satisfy both it and this License would be to refrain entirely from distribution of the Library.

If any portion of this section is held invalid or unenforceable under any particular circumstance, the balance of the section is intended to apply, and the section as a whole is intended to apply in other circumstances.

It is not the purpose of this section to induce you to infringe any patents or other property right claims or to contest validity of any such claims; this section has the sole purpose of protecting the integrity of the free software distribution system which is implemented by public license practices. Many people have made generous contributions to the wide range of software distributed through that system in reliance on consistent application of that system; it is up to the author/donor to decide if he or she is willing to distribute software through any other system and a licensee cannot impose that choice.

This section is intended to make thoroughly clear what is believed to be a consequence of the rest of this License.

12. If the distribution and/or use of the Library is restricted in certain countries either by patents or by copyrighted interfaces, the original copyright holder who places the Library under this License may add an explicit geographical distribution limitation excluding those countries, so that distribution is permitted only in or among countries not thus excluded. In such case, this License incorporates the limitation as if written in the body of this License.

13. The Free Software Foundation may publish revised and/or new versions of the Lesser General Public License from time to time. Such new versions will be similar in spirit to the present version, but may differ in detail to address new problems or concerns.

Each version is given a distinguishing version number. If the Library specifies a version number of this License which applies to it and "any later version", you have the option of following the terms and conditions either of that version or of any later version published by the Free Software Foundation. If the Library does not specify a license version number, you may choose any version ever published by the Free



Software Foundation.

14. If you wish to incorporate parts of the Library into other free programs whose distribution conditions are incompatible with these, write to the author to ask for permission. For software which is copyrighted by the Free Software Foundation, write to the Free Software Foundation; we sometimes make exceptions for this. Our decision will be guided by the two goals of preserving the free status of all derivatives of our free software and of promoting the sharing and reuse of software generally.

## NO WARRANTY

15. BECAUSE THE LIBRARY IS LICENSED FREE OF CHARGE, THERE IS NO WARRANTY FOR THE LIBRARY, TO THE EXTENT PERMITTED BY APPLICABLE LAW. EXCEPT WHEN OTHERWISE STATED IN WRITING THE COPYRIGHT HOLDERS AND/OR OTHER PARTIES PROVIDE THE LIBRARY "AS IS" WITHOUT WARRANTY OF ANY KIND, EITHER EXPRESSED OR IMPLIED, INCLUDING, BUT NOT LIMITED TO, THE IMPLIED WARRANTIES OF MERCHANTABILITY AND FITNESS FOR A PARTICULAR PURPOSE. THE ENTIRE RISK AS TO THE QUALITY AND PERFORMANCE OF THE LIBRARY IS WITH YOU. SHOULD THE LIBRARY PROVE DEFECTIVE, YOU ASSUME THE COST OF ALL NECESSARY SERVICING, REPAIR OR CORRECTION.

16. IN NO EVENT UNLESS REQUIRED BY APPLICABLE LAW OR AGREED TO IN WRITING WILL ANY COPYRIGHT HOLDER, OR ANY OTHER PARTY WHO MAY MODIFY AND/OR REDISTRIBUTE THE LIBRARY AS PERMITTED ABOVE, BE LIABLE TO YOU FOR DAMAGES, INCLUDING ANY GENERAL, SPECIAL, INCIDENTAL OR CONSEQUENTIAL DAMAGES ARISING OUT OF THE USE OR INABILITY TO USE THE LIBRARY (INCLUDING BUT NOT LIMITED TO LOSS OF DATA OR DATA BEING RENDERED INACCURATE OR LOSSES SUSTAINED BY YOU OR THIRD PARTIES OR A FAILURE OF THE LIBRARY TO OPERATE WITH ANY OTHER SOFTWARE), EVEN IF SUCH HOLDER OR OTHER PARTY HAS BEEN ADVISED OF THE POSSIBILITY OF SUCH DAMAGES.

## END OF TERMS AND CONDITIONS

### How to Apply These Terms to Your New Libraries

If you develop a new library, and you want it to be of the greatest possible use to the public, we recommend making it free software that everyone can redistribute and change. You can do so by permitting redistribution under these terms (or, alternatively, under the terms of the ordinary General Public License).

To apply these terms, attach the following notices to the library. It is safest to attach them to the start of each source file to most effectively convey the exclusion of warranty; and each file should have at least the "copyright" line and a pointer to where the full notice is found.

```
<one line to give the library's name and a brief idea of
what it does.>
Copyright (C) <year> <name of author>
```

This library is free software; you can redistribute it and/or modify it under the terms of the GNU Lesser General Public License as published by the Free Software Foundation; either version 2.1 of the License, or (at your option) any

later version.

This library is distributed in the hope that it will be useful, but WITHOUT ANY WARRANTY; without even the implied warranty of MERCHANTABILITY or FITNESS FOR A PARTICULAR PURPOSE. See the GNU Lesser General Public License for more details.

You should have received a copy of the GNU Lesser General Public License along with this library; if not, write to the Free Software Foundation, Inc., 59 Temple Place, Suite 330, Boston, MA 02111-1307 USA

Also add information on how to contact you by electronic and paper mail.

You should also get your employer (if you work as a programmer) or your school, if any, to sign a "copyright disclaimer" for the library, if necessary. Here is a sample; alter the names:

```
Yoyodyne, Inc., hereby disclaims all copyright interest in
the library `Frob' (a library for tweaking knobs) written by
James Random Hacker.
```

```
<signature of Ty Coon>, 1 April 1990
Ty Coon, President of Vice
```

That's all there is to it!

## 7-Zip Source Notice

The software program used in this product contains 7-Zip library. 7-Zip contains the software granted permission for the usage under the terms of the GNU Lesser General Public License. A copy of appropriate source code is available at customer necessary expense for the distribution.

Please contact our Customer Support Center to obtain a copy. For more information on the GNU Lesser General Public License, visit the GNU's website at <http://www.gnu.org>.

Portions of the software in this product are copyright 1996 – 2007 The FreeType Project ([www.freetype.org](http://www.freetype.org)). All rights reserved. Licensed under the Free- Type Project LICENSE, 2006-Jan-27. (<http://www.freetype.org/FTL.TXT>)

## Thank you for buying this Pioneer product.

Please read through these operating instructions so you will know how to operate your model properly. *After you have finished reading the instructions, keep this manual in a safe place for future reference.*

### 01 Precaution

Information for users on collection and disposal of old equipment and used batteries **9**

Cautions for the built-in battery **9**

- Replacing the battery **10**
- Disposing of the battery **10**

### 02 Licence agreement

PIONEER AVIC-F220 **11**

TERMS AND CONDITIONS FOR TELE ATLAS DATA **13**

- End User Licensing Terms **13**

### 03 About the database

About the data for the map database **18**

### 04 Important safety information

Cautions for the detachable device **20**

- Charging the battery of detachable device **20**

Eco-driving function **21**

Fuel cost management **21**

Speed limit indication **21**

### 05 Additional safety information

Handbrake interlock **22**

To avoid battery exhaustion **22**

Handling the SD card slot **22**

Handling the USB port (Mini-B) **22**

### 06 Notes before using the system

In case of trouble **23**

Visit our web site **23**

Supplied CD-ROM **23**



## Precaution

Certain country and government laws may prohibit or restrict the placement and use of this system in your vehicle. Please comply with all applicable laws and regulations regarding the use, installation and operation of your navigation system.

### Information for users on collection and disposal of old equipment and used batteries

(Symbol for equipment)



**These symbols on the products, packaging, and/or accompanying documents mean that used electrical and electronic products and batteries should not be mixed with general household waste. For proper treatment, recovery and recycling of old products and used batteries, please take them to applicable collection points in accordance with your national legislation.**

(Symbol examples for batteries)



By disposing of these products and batteries correctly, you will help to save valuable resources and prevent any potential negative effects on human health and the environment which could otherwise arise from inappropriate waste handling.

For more information about collection and recycling of old products and batteries, please contact your local municipality, your waste disposal service or the point of sale where you purchased the items.

**These symbols are only valid in the European Union.**

**For countries outside the European Union:**

If you wish to discard these items, please contact your local authorities or dealer and ask for the correct method of disposal.

### Cautions for the built-in battery

#### DANGER

- Batteries (battery pack or batteries installed) shall not be exposed to excessive heat such as sunshine, fire or the like.
- The battery could explode if incorrectly replaced. Do not replace the battery by yourself.
- Be sure to use only the built-in battery of this product. Use of any other battery is dangerous and could result in malfunction.
- Keep the battery out of the reach of small children to prevent them from accidentally swallowing it.
- Do not subject the detachable device or built-in battery itself to shock or impact.
- Do not use a damaged or leaking battery. In the event of battery leakage, wipe the detachable device completely clean and contact your dealer or nearest authorised Pioneer Service Station.
- Should the leaked liquid get into your eyes, immediately rinse them with water without rubbing at your eyes.
- Should the battery leak, do not inhale the fumes from the leaked liquid. If you do, you may fall unconscious.
- Do not handle the battery with metallic tools. Do not store the battery with metallic materials.
- When disposing of used batteries, please comply with governmental regulations or environmental public institutions' rules that apply in your country/area.

## Replacing the battery

### ⚠ WARNING

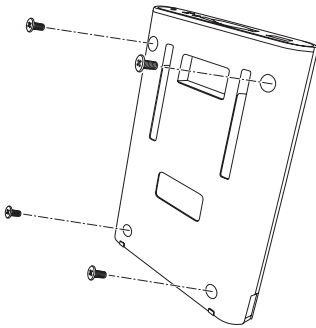
Do not under any circumstances attempt to change the battery yourself.  
The battery should only be changed by Pioneer service personnel.

## Disposing of the battery

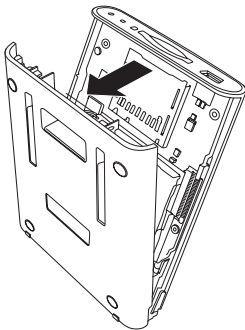
### ⚠ CAUTION

Do not open the cover except to dispose of the battery.

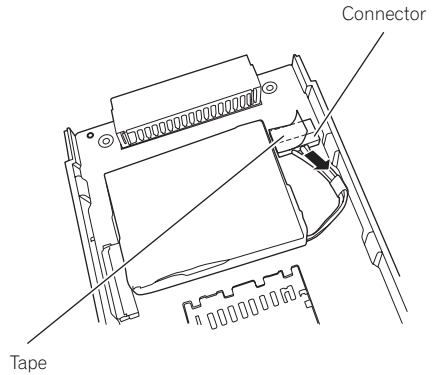
### 1 Remove the screws on the back of the detachable device.



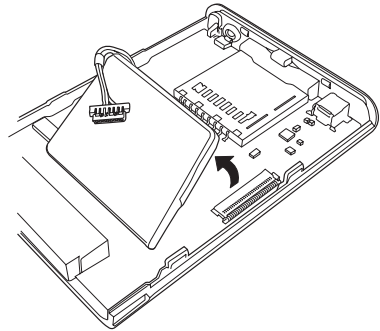
### 2 Open the back cover.



### 3 Peel off the tape and remove the battery connector.



### 4 Remove the battery.



## Licence agreement

### PIONEER AVIC-F220

THIS IS A LEGAL AGREEMENT BETWEEN YOU, AS THE END USER, AND PIONEER CORP. (JAPAN) ("PIONEER"). PLEASE READ THE TERMS AND CONDITIONS OF THIS AGREEMENT CAREFULLY BEFORE USING THE SOFTWARE INSTALLED ON THE PIONEER PRODUCTS. BY USING THE SOFTWARE INSTALLED ON THE PIONEER PRODUCTS, YOU AGREE TO BE BOUND BY THE TERMS OF THIS AGREEMENT. THE SOFTWARE INCLUDES A DATABASE LICENSED BY THIRD PARTY SUPPLIER(S) ("SUPPLIERS"), AND YOUR USE OF THE DATABASE IS COVERED BY THE SUPPLIERS' SEPARATE TERMS, WHICH ARE ATTACHED TO THIS AGREEMENT (refer to page 13). IF YOU DO NOT AGREE WITH ALL OF THESE TERMS, PLEASE RETURN THE PIONEER PRODUCTS (INCLUDING THE SOFTWARE, AND ANY WRITTEN MATERIALS) WITHIN FIVE (5) DAYS OF RECEIPT OF THE PRODUCTS, TO THE AUTHORISED PIONEER DEALER FROM WHICH YOU PURCHASED THEM.

#### 1 GRANT OF LICENCE

Pioneer grants to you a non-transferable, non-exclusive licence to use the software installed on the Pioneer products (the "Software") and the related documentation solely for your own personal use or for internal use by your business, only on such Pioneer products. You shall not copy, reverse engineer, translate, port, modify or make derivative works of the Software. You shall not loan, rent, disclose, publish, sell, assign, lease, sublicense, market or otherwise transfer the Software or use it in any manner not expressly authorised by this agreement. You shall not derive or attempt to derive the source code or structure of all or any portion of the Software by reverse engineering, disassembly, decompilation, or any other means. You shall not use the Software to operate a service bureau or for any other use involving the processing of data for other persons or entities.

Pioneer and its licensor(s) shall retain all copyright, trade secret, patent and other proprietary ownership rights in the Software. The Software is copyrighted and may not be copied, even if modified or merged with other products. You shall not alter or remove any copyright notice or proprietary legend contained in or on the Software.

You may transfer all of your licence rights in the Software, the related documentation and a copy of this Licence Agreement to another party, provided that the party reads and agrees to accept the terms and conditions of this Licence Agreement.

#### 2 DISCLAIMER OF WARRANTY

The Software and related documentation are provided to you "AS IS". PIONEER AND ITS LICENSOR(S) (for the purpose of provisions 2 and 3, Pioneer and its licensor(s) shall be collectively referred to as "Pioneer") MAKES AND YOU RECEIVE NO WARRANTY, WHETHER EXPRESS OR IMPLIED, AND ALL WARRANTIES OF MERCHANTABILITY AND FITNESS FOR ANY PARTICULAR PURPOSE ARE EXPRESSLY EXCLUDED. SOME COUNTRIES DO NOT ALLOW EXCLUSION OF IMPLIED WARRANTIES, SO THE ABOVE EXCLUSION MAY NOT APPLY TO YOU. The Software is complex and may contain some non-conformities, defects or errors. Pioneer does not warrant that the Software will meet your needs or expectations, that operation of the Software will be error free or uninterrupted, or that all non-conformities can or will be corrected. Furthermore, Pioneer does not make any representations or warranties regarding the use or results of the use of the Software in terms of its accuracy, reliability or otherwise.

### 3 LIMITATION OF LIABILITY

IN NO EVENT SHALL PIONEER BE LIABLE FOR ANY DAMAGES, CLAIM OR LOSS INCURRED BY YOU (INCLUDING, WITHOUT LIMITATION, COMPENSATORY, INCIDENTAL, INDIRECT, SPECIAL, CONSEQUENTIAL, OR EXEMPLARY DAMAGES, LOST PROFITS, LOST SALES OR BUSINESS, EXPENDITURES, INVESTMENTS, OR COMMITMENTS IN CONNECTION WITH ANY BUSINESS, LOSS OF ANY GOODWILL, OR DAMAGES) RESULTING FROM THE USE OF OR INABILITY TO USE THE SOFTWARE, EVEN IF PIONEER HAS BEEN INFORMED OF, KNEW OF, OR SHOULD HAVE KNOWN OF THE LIKELIHOOD OF SUCH DAMAGES. THIS LIMITATION APPLIES TO ALL CAUSES OF ACTION IN THE AGGREGATE, INCLUDING WITHOUT LIMITATION BREACH OF CONTRACT, BREACH OF WARRANTY, NEGLIGENCE, STRICT LIABILITY, MISREPRESENTATION, AND OTHER TORTS. IF PIONEER'S WARRANTY DISCLAIMER OR LIMITATION OF LIABILITY SET FORTH IN THIS AGREEMENT SHALL OR FOR ANY REASON WHATSOEVER BE HELD UNENFORCEABLE OR INAPPLICABLE, YOU AGREE THAT PIONEER'S LIABILITY SHALL NOT EXCEED FIFTY PERCENT (50%) OF THE PRICE PAID BY YOU FOR THE ENCLOSED PIONEER PRODUCT.

Some countries do not allow the exclusion or limitation of incidental or consequential damages, so the above limitation or exclusion may not apply to you. This warranty disclaimer and limitation of liability shall not be applicable to the extent that any provision of this warranty is prohibited by any country or local law which cannot be pre-empted.

### 4 EXPORT LAW ASSURANCES

You agree and certify that neither the Software nor any other technical data received from Pioneer, nor the direct product thereof, will be exported outside the country or district (the "Country") governed by the government having jurisdiction over you (the "Government") except as authorised and as permitted by the

laws and regulations of the Government. If the Software has been rightfully obtained by you outside of the Country, you agree that you will not re-export the Software nor any other technical data received from Pioneer, nor the direct product thereof, except as permitted by the laws and regulations of the Government and the laws and regulations of the jurisdiction in which you obtained the Software.

### 5 TERMINATION

This Agreement is effective until terminated. You may terminate it at any time by destroying the Software. The Agreement also will terminate if you do not comply with any terms or conditions of this Agreement. Upon such termination, you agree to destroy the Software.

### 6 MISCELLANEOUS

This is the entire Agreement between Pioneer and you regarding its subject matter. No change in this Agreement shall be effective unless agreed to in writing by Pioneer. If any provision of this Agreement is declared invalid or unenforceable, the remaining provisions of this Agreement shall remain in full force and effect. ■

## Licence agreement

### TERMS AND CONDITIONS FOR TELE ATLAS DATA

#### End User Licensing Terms

THIS IS A LEGAL AGREEMENT (THE "AGREEMENT") BETWEEN YOU, THE END USER, AND PIONEER and its licensors of Data product (sometimes collectively "Licensors"). BY USING YOUR COPY OF THE LICENSED DATA, YOU AGREE TO THE TERMS AND CONDITIONS OF THIS AGREEMENT.

#### 1 Grant of License.

Licensors grant you a non-transferable, non-exclusive license to use the map data and business points of interest information (the "POIs"), owned by Tele Atlas, (together, the "Data") contained on these discs, solely for personal, non-commercial use and not to operate a service bureau or for any other use involving the processing of data of other persons or entities. You may make one (1) copy of the Data for archival or backup purposes only but you may not otherwise copy, reproduce, modify, make derivative works, derive the structure of or reverse engineer the Data. The Data is restricted for use with the PIONEER Product(s). The Data contains confidential and proprietary information and materials, and may contain trade secrets, so you agree to hold the Data in confidence and in trust and not to disclose the Data or any portions in any form, including by renting, leasing, publishing, leasing, sublicensing or transferring the Data to any third party. You are explicitly prohibited from downloading the digital maps and programmes contained in the Data or from transferring these to another data carrier or computer. You are prohibited from removing or obscuring any copy right, trademark notice or restricted legend.

#### 2 Ownership.

The Data is copyrighted by Tele Atlas and its Licensors and they retain all ownership rights in the Data. You agree not to alter, remove, obliterate, or obscure any copyright notice or pro-

prietary legend contained in or on the Data. The current copyrights are to be referred Section 12 below.

#### 3 Limitation of Liability.

NEITHER TELE ATLAS NOR ITS SUPPLIERS SHALL BE LIABLE TO THE UNDERSIGNED FOR ANY INCIDENTAL, CONSEQUENTIAL, SPECIAL, INDIRECT OR EXEMPLARY DAMAGES ARISING OUT OF THIS AGREEMENT, INCLUDING LOST PROFITS OR COSTS OF COVER, LOSS OF USE OR BUSINESS INTERRUPTION OR THE LIKE, REGARDLESS OF WHETHER THE PARTY WAS ADVISED OF THE POSSIBILITY OF SUCH DAMAGES. NOTWITHSTANDING ANYTHING TO THE CONTRARY CONTAINED HEREIN, TELE ATLAS SHALL HAVE NO MONETARY LIABILITY TO THE UNDERSIGNED FOR ANY CAUSE (REGARDLESS OF THE FORM OF ACTION) UNDER OR RELATING TO THIS AGREEMENT.

#### 4 Warranty Disclaimer.

THE DATA IS PROVIDED ON AN "AS IS" AND "WITH ALL FAULTS BASIS" AND PIONEER, ITS LICENSORS, AND ITS LICENSED DISTRIBUTORS AND SUPPLIERS (COLLECTIVELY, "SUPPLIERS") EXPRESSLY DISCLAIM ALL OTHER WARRANTIES, EXPRESS OR IMPLIED, INCLUDING BUT NOT LIMITED TO, THE IMPLIED WARRANTIES OF NON-INFRINGEMENT, MERCHANTABILITY, EFFECTIVENESS, COMPLETENESS, ACCURACY, TITLE AND FITNESS FOR A PARTICULAR PURPOSE. PIONEER, ITS LICENSORS AND SUPPLIERS DO NOT WARRANT THAT THE DATA WILL MEET YOUR REQUIREMENTS OR THAT THE OPERATION OF THE DATA WILL BE UNINTERRUPTED OR ERROR FREE. NO ORAL OR WRITTEN ADVICE GIVEN BY PIONEER, ITS LICENSORS, SUPPLIERS OR ANY OF THEIR RESPECTIVE EMPLOYEES CREATES A WARRANTY OR IN ANY WAY INCREASES PIONEER', ITS LICENSORS OR SUPPLIERS LIABILITY AND YOU MAY NOT RELY ON ANY SUCH INFORMATION OR ADVICE. THIS DISCLAIMER IS AN ESSENTIAL CONDITION OF THIS AGREEMENT AND YOU ACCEPT THE DATA ON THIS BASIS.

#### 5 Termination.

This Agreement will terminate immediately and automatically, without notice, if you breach any term of this Agreement. You agree that in the event of termination of the Agreement, you shall return the Data (including all documentation and all copies) to PIONEER and its suppliers.

#### 6 Indemnity.

You agree to indemnify, defend and hold PIONEER, its Licensors, and its suppliers (including their respective licensors, suppliers, assignees, subsidiaries, affiliated companies, and the respective officers, directors, employees, shareholders, agents and representatives) free and harmless from and against any liability, loss, injury (including injuries resulting in death), demand, action, cost, expense, or

claim of any kind or character, including but not limited to attorney's fees, arising out of or in connection with any use or possession by you of the Data.

#### 7 Additional Provisions with respect to the Great Britain Data and Northern Ireland data only.

- 1 End User shall be prohibited from removing or obscuring any copyright, trademark or restrictive legend belonging to Ordnance Survey.
- 2 Disclaim all warranties of Ordnance Survey, whether express or implied, including but not limited to, the implied warranties of non-infringement, merchantability, completeness, accuracy, and fitness for a particular purpose. End User shall acknowledge that Ordnance Survey makes no warranty and gives no representation that the Tele Atlas® MultiNet® data of the United Kingdom is complete, accurate and/or up to date and it is an essential condition of the Terms of Use that End User accepts the Tele Atlas® MultiNet® data of the United Kingdom on that basis. The Data may include the data of licensors, including Ordnance Survey.
- 3 Disclaim all liability of Ordnance Survey with respect to the Tele Atlas® MultiNet® data of the United Kingdom.
- 4 Prohibit the use of the Tele Atlas® MultiNet® data of the United Kingdom in any printed, published form that results in Value Added Product to be distributed freely or sold to the public without the prior permission of Ordnance Survey.
- 5 Indemnify Ordnance Survey from and against all claims, demands or actions, irrespective of the nature of the cause of the claim, demand or action alleging loss, costs, expenses, damages or injuries (including injuries resulting from death) arising out of the use of the Tele Atlas® MultiNet® data of the United Kingdom.

## Licence agreement

- 6 End User accepts the obligation to, on request, provide Ordnance Survey with information on what products and/or services containing and/or derived from the Licensed Tele Atlas Products they produce.
- 7 End User is liable to Ordnance Survey in the event of discovery of breach of the aforementioned contractual terms. End User accepts the obligation to, on request, provide Ordnance Survey with information on what products and/or services containing and/or derived from the Licensed Products they produce.

### *Regarding audits*

The rights of Tele Atlas as defined in this Agreement apply as well for Ordnance Survey's auditors' and/or the National Audit Office in case of delivery of UK data. Any sum payable shall be subject to interest at two per cent (2%) over the base rate from time to time of National Westminster Bank plc from the date this sum was originally due up to the date of payment (whether before or after judgment).

Ordnance Survey and/or the National Audit Office shall have the right to audit End Users books or accounts directly on exactly the same terms as Licensee is so obliged in this Agreement so that Ordnance Survey has this right of audit in respect of any provider of products and/or services containing and/or derived from Licensed Tele Atlas Products.

Licensee hereby agrees that in the event of discovery of breach, the relevant End Users in breach and Licensee shall be jointly and severally liable to Ordnance Survey.

### **8 Additional Provisions with respect to the Norway Data only.**

End User is prohibited from using the Tele Atlas® MultiNet® data of Norway to create commercial general purpose printed or digital maps, which are similar to the basic national products of the Norwegian Mapping Authority.

### **9 Additional provisions for Tele Atlas® Premium Points of Interest (the "POIs"). With respect to the POI Licensed Tele Atlas Products:**

(The following provisions only refer to the products which contain Tele Atlas® Premium Points of Interest.)

- End User specifically agrees that it shall not:
- (a) except as otherwise specifically set forth herein, license or otherwise provide the POI Licensed Tele Atlas Products to any third party for the purposes of resale, sublicensing, redistribution or for the purpose of compiling, enhancing, verifying, supplementing, adding to or deleting from any mailing list, geographic or trade directories, business directories, classified directories, classified advertising which is sold, rented, published, furnished or in any manner provided to a third party;
  - (b) make the POI Licensed Tele Atlas Products available in an on-line environment unless properly secured and/or encrypted to prevent unauthorized access to the POI Licensed Tele Atlas Products; and
  - (c) use the POI Licensed Tele Atlas Products, either in whole or in part, as a factor in (i) establishing an individual's eligibility for credit or insurance; (ii) connection with underwriting individual insurance; (iii) evaluating an individual for employment or promotions, reassignment or retention as an employee; (iv) in connection with a determination of an individual's eligibility for a license or other benefit granted by a governmental authority; or (v) for soliciting survivors of deceased persons.
  - (d) create mailing or telemarketing lists unless authorized in this Agreement.
  - (e) End User will house the POI Licensed Tele Atlas Products on the Internet behind firewalls and will implement a system of controls that will (i) protect the integrity of the POI Licensed Tele Atlas Products; (ii) control access to the POI Licensed Tele Atlas Products and (iii) prevent unauthorized usage or copying of the POI Licensed Tele Atlas Products.



### 10 Additional provisions for Tele Atlas® Brand Icon Licensed Tele Atlas Product (the “Brand Icon Licensed Tele Atlas Product”):

(The following provisions only refer to the products which contain Tele Atlas® Brand Icon Licensed Tele Atlas Product.)

- a End User's use of the Brand Icon Licensed Tele Atlas Product and any portion thereof, is limited to use solely for the purpose of enhancing the value and/or use of the spatial vector data furnished or made by Tele Atlas. Notwithstanding anything to the contrary herein, or in any attachment or exhibit hereto, in no event shall End User use the Brand Icon Licensed Tele Atlas Product or any portion thereof in connection with or in conjunction with spatial street vector data furnished or made by a party other than Tele Atlas. End User may only use the icons, brand names, logos, trademarks or other features within (and not separate from) the map data. In addition, End User shall not modify or alter the color, shape, size, and orientation of the Brand Icon Licensed Tele Atlas Product as provided to End User without Tele Atlas's prior written approval.
- b Licensee agrees that the use of Brand Icon Licensed Tele Atlas Product subject to the terms and conditions set forth in this Agreement and that there may be additional third party terms, conditions and restrictions to which the use of the Brand Icon Licensed Tele Atlas Product will be subject provided to the End User from time to time by Licensee in the release notes applicable to the Value Added Product.
- c Should End User enter into any commercial arrangement for advertising, pay-for-placement, promotion or any similar paid brand marketing exposure with any owners (or their representatives) of any of the brand icons supplied with the Brand Icon Licensed Tele Atlas Product, Tele Atlas shall receive no less than twenty five percent (25%) of any revenues collected in the context of any such commercial arrangement,

unless otherwise agreed-to in advance and in writing by both parties.

### 11 Additional Provisions with respect to Tele Atlas® 3D Landmarks Licensed Tele Atlas Product (the “3D Landmarks”):

(The following provisions only refer to the products which contain Tele Atlas® 3D Landmarks Licensed Tele Atlas Product.)

Licensee agrees to include as soon as practically possible, but no later than the first new release of the Value Added Product following Licensee's receipt of any 3D Landmarks, any copyright notices related to the display of such landmarks on every Value Added Product and in the “about box” of the Value Added Product. Notwithstanding the aforementioned, Tele Atlas has the right to decide, at its sole discretion, to remove specific 3D Landmarks in subsequent releases of the Licensed Tele Atlas Products. In such case, Licensee will remove those 3D Landmarks from the Value Added Product as soon as practically possible, but not later than the first new release of the Value Added Product following Licensee's receipt of the Update to the Licensed Tele Atlas Product. Tele Atlas shall not be held responsible for any possible damages, costs or expenses incurred by Licensee related to such removal of a 3D Landmark by Tele Atlas from the Licensed Tele Atlas Product or failure to remove a 3D Landmark by Licensee from the Value Added Product.

### 12 Copyright Notices.

Licensee shall conspicuously display each applicable then current copyright notice for the Licensed Tele Atlas Products on the initial splash screen, in the code, on the storage medium, on the packaging, in the “Help/About” section, in the operator's manual, and in any displayed or printed map image, for each Value Added Product that is based upon:

- 1 *Tele Atlas® MultiNet® Europe*. As of the Effective Date, the copyright notice is: “Data Source © 2009 Tele Atlas B.V.”; and, in addition, “based on”:


## Licence agreement

- a *Tele Atlas® MultiNet® data of Austria*. As of the Effective Date, the copyright notice is: "© BEV, GZ 1368/2003."
- b *Tele Atlas® MultiNet® data of Denmark*. As of the Effective Date, the copyright notice is: "© DAV, violation of these copyrights shall cause legal proceedings."
- c *Tele Atlas® MultiNet® data of France*. As of the Effective Date, the copyright notice is: "© IGN France.", "Michelin data © Michelin 2009"
- d *Tele Atlas® MultiNet® data of the United Kingdom (excluding Northern Ireland)*. As of the Effective Date, the following applies: This product includes mapping data licensed from Ordnance Survey with the permission of the Controller of Her Majesty's Stationery Office. © Crown copyright and/or database right 2009. All rights reserved. Licence number 100026920.
- e *Tele Atlas® MultiNet® data of Northern Ireland*. As of the Effective Date, the copyright notice is: "Ordnance Survey of Northern Ireland."
- f *Tele Atlas® MultiNet® data of Norway*. As of the Effective Date, the copyright notice is: "© Norwegian Mapping Authority, Public Roads Administration / © Mapsolutions."
- g *Tele Atlas® MultiNet® data of Russia*: As of the Effective Date, the copyright notice is: "© Roskartographia"
- h *Tele Atlas® MultiNet® data of Switzerland*. As of the Effective Date, the copyright notice is: "© Swisstopo."
- i *Tele Atlas® MultiNet® data of The Netherlands*. As of the Effective Date, the copyright notice is: "Topografische ondergrond Copyright © dienst voor het kadaster en de openbare registers, Apeldoorn 2006."

### 13 Miscellaneous.

This is the exclusive and complete Agreement between the Licensors and you regarding its subject matter. Nothing in this Agreement shall create a joint venture, partnership or principal-agent relationship between the Licensors and you. Sections 2, 5 and 7 - 12 shall survive the expiration or termination of this Agreement. This Agreement may be amended, altered, or modified only by PIONEER. You may not assign any part of this Agreement without PIONEER' prior written consent. You acknowledge and understand that the Data may be subject to restrictions on exportation and agree to comply with any applicable export laws. In the event that any provision or part of a provision of this Agreement is determined to be invalid, illegal, or unenforceable, such provision or part thereof shall be stricken from this Agreement and the remainder of this Agreement shall be valid, legal, and enforceable to the maximum extent possible. Any notice under this Agreement shall be delivered by courier to PIONEER, Attention Legal Department. ■

## About the data for the map database

- Modifications related to roads, streets/highways, terrain, construction and other things before/during the development period may not be reflected in this database. Inevitably, those modifications after that period are not reflected in this database.
- Regardless of existing and newly-built things, the data may be different from the actual condition.
- For details about the map coverage of this navigation system, refer to the information on our website.
- It is strictly prohibited to reproduce and use any part or the whole of this map in any form without permission from the copyright owner.
- If the local traffic regulations or conditions deviate from this data, follow the local traffic regulations (such as signs, indications, etc.) and conditions (such as construction, weather, etc.).
- The traffic regulation data used in the map database applies only to standard sized passenger vehicles. Note that regulations for larger vehicles, motorbikes, and other non-standard vehicles are not included in the database.
- Map Version, Tele Atlas. Rel. 06/2009. 

## Important safety information

### WARNING

- Do not attempt to install or service your navigation system by yourself. Installation or servicing of the navigation system by persons without training and experience in electronic equipment and automotive accessories may be dangerous and could expose you to the risk of electric shock or other hazards.
- If liquid or foreign matter should get inside this navigation system, park your vehicle to safe place and turn the ignition switch off (ACC OFF) immediately and consult your dealer or the nearest authorised Pioneer Service Station. Do not use the navigation system in this condition because doing so may result in a fire, electric shock, or other failure.
- If you notice smoke, a strange noise or odor from the navigation system, or any other abnormal signs on the LCD screen, turn off the power immediately and consult your dealer or the nearest authorised Pioneer Service Station. Using this navigation system in this condition may result in permanent damage to the system.
- Do not disassemble or modify this navigation system, as there are high-voltage components inside which may cause an electric shock. Be sure to consult your dealer or the nearest authorised Pioneer Service Station for internal inspection, adjustments or repairs.
- Do not allow this product to come into contact with liquids. Electrical shock could result. Also, damage to the product, smoke, and overheating could result from contact with liquids.

### CAUTION

- When a route is calculated, the route and voice guidance for the route are automatically set. Also, for day or time traffic regulations, only information about traffic regulations applicable at the time when the route was calculated is considered. One-way streets and street closures may not be taken into consideration. For example, if a street is open during the morning only, but you arrive later, it would be against the traffic regulations so you cannot drive along the set route. When driving,

please follow the actual traffic signs. Also, the system may not know some traffic regulations.

- Do not install the navigation system in places subject to high temperatures or humidity, such as:
  - Places close to a heater, vent or air conditioner.
  - Places exposed to direct sunlight, such as on top of the dashboard or the rear shelf.
  - Places that may be exposed to rain, such as close to the door or on the vehicle's floor.

Before using your navigation system, be sure to read and fully understand the following safety information:

- Read the entire manual before operating this navigation system.
- The navigation features of your navigation system are intended solely as an aid to you in the operation of your vehicle. It is not a substitute for your attentiveness, judgment, and care when driving.
- Do not operate this navigation system if doing so will divert your attention in any way from the safe operation of your vehicle. Always observe safe driving rules and follow all existing traffic regulations. If you experience difficulty in operating the system or reading the display, park your vehicle in a safe location and apply the handbrake before making the necessary adjustments.
- Never allow others to use the system unless they have read and understood the operating instructions.
- Never use this navigation system to route to hospitals, police stations or similar facilities in an emergency. Stop using any functions relating to the hands-free phone and please call the appropriate emergency number.
- Route and guidance information displayed by this equipment is for reference purposes only. It may not accurately reflect the latest permissible routes, road conditions, one way streets, road closures, or traffic restrictions.

- ❑ Traffic restrictions and advisories currently in force should always take precedence over guidance given by the navigation system. Always obey current traffic restrictions, even if the navigation system provides contrary advice.
- ❑ Failure to set correct information about the local time may result in the navigation system providing improper routing and guidance instructions.
- ❑ Never set the volume of your navigation system so high that you cannot hear outside traffic and emergency vehicles.
- ❑ To promote safety, certain functions are disabled unless the vehicle is stopped and/or the handbrake is applied.
- ❑ The data encoded in the built-in memory is the intellectual property of the provider, and the provider is responsible for such content.
- ❑ Keep this manual handy as a reference for operating procedures and safety information.
- ❑ Pay close attention to all warnings in this manual and follow the instructions carefully.
- ❑ Do not install this navigation system where it may (i) obstruct the driver's vision, (ii) impair the performance of any of the vehicle's operating systems or safety features, including air bags or hazard lamp buttons or (iii) impair the driver's ability to safely operate the vehicle.
- ❑ Please remember to fasten your seat belt at all times while operating your vehicle. If you are ever in an accident, your injuries can be considerably more severe if your seat belt is not properly buckled.
- ❑ Be sure to attach the detachable device to the base unit during in-car use. Use of this detachable device when not firmly attached to the base unit, could result in damage to it in the event of a sudden stop.
- ❑ Never use headphones while driving.

## Cautions for the detachable device

### CAUTION

- Do not leave the detachable device in places where it may become subject to high temperatures or humidity, such as:
  - Places close to a heater, vent or air conditioner.
  - Places exposed to direct sunlight, such as on top of the dashboard or the rear shelf.
  - Places that may be exposed to rain, such as close to the door or on the vehicle's floor.
- Be careful not to touch terminals on the detachable device or on the base unit. Doing so may cause connection failures. If any terminals are dirty, wipe them with a clean dry cloth.
- Before removing the detachable device, turn the ignition switch off (ACC OFF).
- When you attach the detachable device, be sure to attach it to the base unit before turning the ignition switch on (ACC ON).
- After removing the detachable device, keep it in a safe place so it is not scratched or damaged.
 

When you leave your vehicle, be sure to remove the detachable device from the base unit and take it with you.
- Never use force when removing or attaching.
- Avoid subjecting the detachable device to excessive shocks.

## Charging the battery of detachable device

- ❑ Charging cannot be done when the temperature is outside of the charging temperature range.
  - The operating temperature range of the battery is from 0 °C to +55 °C.
  - The charging temperature range of the battery is from -20 °C to +60 °C.
- ❑ The battery of the detachable device is charged in the following situations.

## Important safety information

- When the detachable device is attached to the base unit, and this navigation system is connected to AV receiver while the ignition switch is turned on (ACC ON).
  - When the detachable device is connected to your PC.
- ❑ The battery lifetime is limited. Charged battery duration will decrease with repetitive charging. If the battery duration is extremely short, it may be near the end of battery life span. Consult your dealer or the nearest authorised Pioneer Service Station and replace it with a new battery.
  - ❑ When the battery completely runs out or when the temperature is outside of the charging temperature range, the system cannot boot up until battery charging starts. In that case, it may take a few minutes until the system boots up.
  - ❑ If the navigation system does not boot up after a while and the power indicator does not light, a replacement battery may be needed.  
Please contact the nearest authorised Pioneer Service Station. ❑

- ❑ Some of the features of this device do not take in to consideration the type of vehicle it is installed into. ❑

## Fuel cost management

These calculations are based only on the information that you provide and not on any data from the vehicle. The fuel mileage displayed is only a reference value, and does not guarantee the fuel mileage displayed can be obtained. ❑

## Speed limit indication

The speed limit is based on the map database. The speed limit in the database may not match the actual speed limit of the current road. This is not a definite value. Be sure to drive according to the actual speed limit. ❑

## Eco-driving function

- ❑ The fuel mileage calculated is based on a theoretical value determined from vehicle speed and position information from the navigation system. The fuel mileage displayed is only a reference value, and does not guarantee the mileage displayed can be obtained.
- ❑ The Eco-driving functions are an estimate of the real time fuel consumption to average fuel consumption ratio and is not an actual value.
- ❑ The Eco-driving functions and calculations take into consideration the location of the GPS position and speed of the vehicle in determining a value.
- ❑ Indications of this unit may be different from the actual value.

## Handbrake interlock

This navigation system receives the status of the parking brake from the connected AV receiver.

Certain functions (such as certain touch panel key operations) offered by this navigation system could be dangerous and/or unlawful if used while driving. To prevent such functions from being used while the vehicle is in motion, there is an interlock system that senses when the handbrake is set and when the vehicle is moving. If you attempt to use the functions described above while driving, they will become disabled until you stop the vehicle in a safe place, and apply the handbrake. Please keep the brake pedal pushed down before releasing the handbrake.

- ❑ When applying the handbrake in order to enable other functions offered by the navigation system, park your vehicle in a safe place, and keep the brake pedal pushed down before releasing the handbrake if the vehicle is parked on a hill or otherwise might move when releasing the handbrake. ❑

## To avoid battery exhaustion

Be sure to run the vehicle engine while using this product. Using this product without running the engine can drain the battery.



### WARNING

Do not install this product with vehicles that do not feature an ACC position. ❑

## Handling the SD card slot

The SD memory card and SDHC memory card are collectively referred to as the "SD memory card".



### CAUTION

- Keep the SD memory card out of the reach of small children to prevent them from accidentally swallowing it.
- To prevent data loss and damage to the storage device, never remove it from this navigation system while data is being transferred.
- If data loss or corruption occurs on the storage device for any reason, it is usually not possible to recover the data. Pioneer accepts no liability for damages, costs or expenses arising from data loss or corruption.
- Never insert or eject an SD memory card while driving. ❑

## Handling the USB port (Mini-B)

- ❑ USB port (Mini-B) on the detachable device is only used to connect the detachable device to your PC. The system cannot recognise the connected USB storage device if it is connected to the USB port.



### CAUTION

- To prevent data loss and damage to the data in the SD memory card, never remove it from your PC while data is being transferred.
- If data loss or corruption occurs on the data in the SD memory card for any reason, it is usually not possible to recover the data. Pioneer accepts no liability for damages, costs or expenses arising from data loss or corruption. ❑



## Notes before using the system

### In case of trouble

Should the navigation system fail to operate properly, contact your dealer or nearest authorised Pioneer Service Station. ■

### Visit our web site

Visit us at the following site:

<http://www.pioneer.eu>

- Register your product. We will keep the details of your purchase on file to help you refer to this information in the event of an insurance claim such as loss or theft.
- We offer the latest information about Pioneer Corporation on our website. ■

### Supplied CD-ROM

#### Operating environment

The supplied CD-ROM can be used with Microsoft® Windows® 2000/XP and Apple Mac OS X 10.4.

Adobe Reader (Version 4.0 or later) is required to read the manuals in the CD-ROM.

#### Precautions for use

The CD-ROM is for use with a personal computer. It cannot be used with any other DVD/CD players or drives. Attempting to run the CD-ROM with such equipment can damage speakers or cause impaired hearing due to excessively loud volume.

#### Licence

Please agree to *Terms of use* indicated below before using the CD-ROM. Do not use if you are unwilling to consent to the terms of its use.

#### Terms of use

Copyright to data provided on the CD-ROM belongs to Pioneer Corporation. Unauthorised transfer, duplication, broadcast, public transmission, translation, sales, lending or other

such matters that go beyond the scope of “personal use” or “citation” as defined by Copyright Law may be subject to punitive actions. Permission to use the CD-ROM is granted under licence by Pioneer Corporation.

#### General disclaimer

Pioneer Corporation does not guarantee the operation of the CD-ROM with respect to personal computers using any applicable OS. In addition, Pioneer Corporation is not liable for any damages incurred as a result of use of the CD-ROM and is not responsible for any compensation.



#### Note

When you run the supplied CD-ROM on a Mac OS, insert the CD-ROM into a CD drive and then double-click on the CD-ROM icon to start up the application. ■

**The names of private corporations, products and other entities described herein are the registered trademarks or trademarks of their respective firms.**

➔ For more information, refer to Operation Manual.



## Благодарим за покупку навигационной системы Pioneer.

Внимательно прочитайте инструкции по эксплуатации, чтобы надлежащим образом использовать данную модель навигационной системы. *После ознакомления с инструкциями, сохраняйте данное руководство для дальнейшего обращения.*

### 01 Меры предосторожности

Информация для пользователей по сбору и утилизации бывшего в эксплуатации оборудования и обработавших элементов питания **25**

Меры предосторожности для встроенной батареи **26**

- Замена батареи **26**
- Утилизация батареи **26**

### 02 Лицензионное соглашение

PIONEER AVIC-F220 **28**

УСЛОВИЯ И ПОЛОЖЕНИЯ ДЛЯ ДАННЫХ  
TELE ATLAS **31**

- Условия лицензионного соглашения для конечного пользователя **31**

### 03 База данных

О данных для базы данных карт **38**

### 04 Важные сведения о безопасности

Меры предосторожности для съемного устройства **41**

- Зарядка батареи съемного устройства **41**

Функция Eco-вождения **42**

Учет стоимости топлива **42**

Индикация ограничения скорости **42**

### 05 Дополнительные сведения о безопасности

Блокировка стояночного тормоза **43**

Во избежание разрядки аккумуляторных батарей **43**

Использование слота для SD-карты **43**

Обращение с USB-портом (Mini-B) **43**

### 06 Перед эксплуатацией системы изучите приведенную ниже информацию

В случае неисправности **45**

Посетите наш веб-сайт **45**

Информация об изделии **45**

Входящий в комплект CD-ROM **45**



В некоторых странах существуют законодательные и правительственные запреты и ограничения на использование систем навигации в транспортных средствах. Обеспечьте соответствие действующим законам и нормам по установке и эксплуатации данной навигационной системы.



## Информация для пользователей по сбору и утилизации бывшего в эксплуатации оборудования и отработавших элементов питания

(Обозначение для оборудования)



Эти обозначения на продукции, упаковке, и/или сопроводительных документах означают, что бывшая в эксплуатации электротехническая и электронная продукция и отработанные элементы питания не должны выбрасываться вместе с обычным бытовым мусором.

Для того чтобы данная бывшая в употреблении продукция и отработанные элементы питания были соответствующим образом обработаны, утилизированы и переработаны, пожалуйста, передайте их в соответствующий пункт сбора использованных электронных изделий в соответствии с местным законодательством.

(Обозначения для элементов питания)



Утилизируя данные устройства и элементы питания правильно, Вы помогаете сохранить ценные ресурсы и предотвратить возможные негативные последствия для здоровья людей и окружающей среды, которые могут возникнуть в результате несоответствующего удаления отходов.

Для получения дополнительной информации о правильных способах сбора и утилизации отработавшего оборудования и использованных элементов питания обращайтесь в соответствующие местные органы самоуправления, в центры утилизации отходов или по месту покупки данного изделия.

**Данные обозначения утверждены только для Европейского Союза.**

### Для стран, которые не входят в состав Европейского Союза:

Если Вы желаете утилизировать данное изделие, обратитесь в соответствующие местные учреждения или к дилерам для получения информации о правильных способах утилизации. □

## Меры предосторожности для встроенной батареи



### ОПАСНО

- Не допускайте перегрева батареек (как в упаковке, так и установленных в пульт) на прямом солнечном свете, вблизи источников открытого огня и т.п.
- В случае неправильной замены батарея может взорваться. Не выполняйте замену батареи самостоятельно.
- Обязательно используйте с этим изделием только встроенную батарею. Опасно использовать какую-либо другую батарею, так как это может привести к неисправности.
- Храните батарею вне доступа маленьких детей, чтобы избежать случайного проглатывания.
- Не подвергайте съемное устройство или встроенную батарею ударам или толчкам.
- Не используйте поврежденную или протекающую батарею.  
В случае протечки батареи начисто протрите съемное устройство и свяжитесь со

своим дилером или ближайшим уполномоченным сервисным центром Pioneer.

- В случае попадания вытекшей жидкости в глаза, немедленно промойте глаза водой и не трите их.
- В случае утечки из батареи, не вдыхайте пары вытекшей жидкости. Это может привести к потере сознания.
- Избегайте соприкосновения батарейки с металлическими предметами.  
Не храните батарейку вместе с металлическими предметами.
- При утилизации использованных батареек соблюдайте требования законодательства и другие правила в сфере охраны окружающей среды, действующие в Вашей стране/регионе.

## Замена батареи



### ПРЕДУПРЕЖДЕНИЕ

Ни в коем случае не пытайтесь заменить батарею самостоятельно.

Замена батареи должна производиться только сотрудниками сервисного центра Pioneer.

## Утилизация батареи

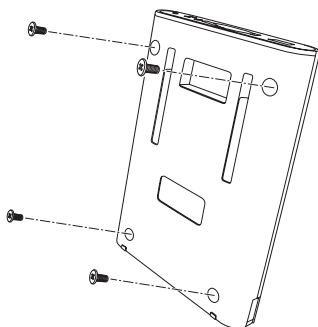


### ВНИМАНИЕ

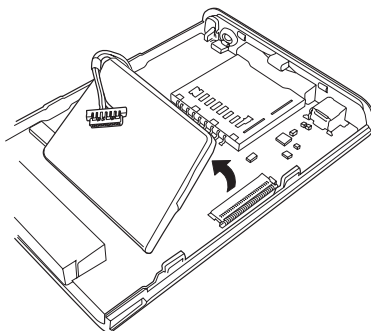
Не открывайте крышку для каких-либо целей, за исключением утилизации батареи.

## Меры предосторожности

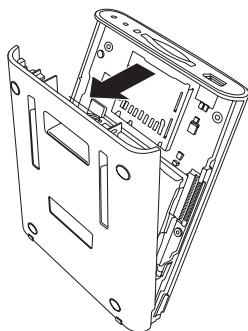
1 Выкрутите винты на задней стороне съемного устройства.



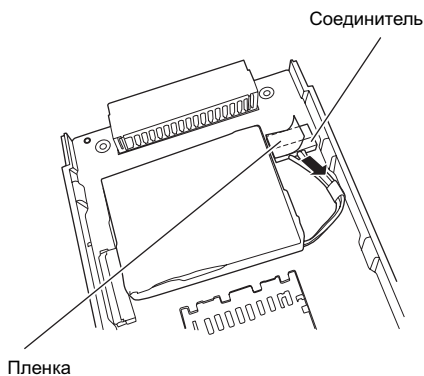
4 Извлеките батарею.



2 Откройте заднюю крышку.



3 Снимите пленку и отключите соединитель батареи.



## PIONEER AVIC-F220

ЭТО ЮРИДИЧЕСКОЕ СОГЛАШЕНИЕ МЕЖДУ ВАМИ, КАК КОНЕЧНЫМ ПОЛЬЗОВАТЕЛЕМ, И КОМПАНИЕЙ PIONEER (ЯПОНИЯ) («PIONEER»). ПОЖАЛУЙСТА, ВНИМАТЕЛЬНО ПРОЧИТАЙТЕ УСЛОВИЯ ДАННОГО СОГЛАШЕНИЯ, ПРЕЖДЕ ЧЕМ ИСПОЛЬЗОВАТЬ ПРОГРАММНОЕ ОБЕСПЕЧЕНИЕ, УСТАНОВЛЕННОЕ НА ПРОДУКТЫ КОМПАНИИ PIONEER. ИСПОЛЬЗУЯ ПРОГРАММНОЕ ОБЕСПЕЧЕНИЕ, УСТАНОВЛЕННОЕ НА ПРОДУКТЫ КОМПАНИИ PIONEER, ВЫ СОГЛАШАЕТЕСЬ С УСЛОВИЯМИ ДАННОГО СОГЛАШЕНИЯ. ПРОГРАММНОЕ ОБЕСПЕЧЕНИЕ ВКЛЮЧАЕТ БАЗУ ДАННЫХ, ЛИЦЕНЗИРОВАННУЮ ПОСТАВЩИКОМ(-АМИ) ТРЕТЬЕЙ СТОРОНЫ («ПОСТАВЩИКИ»), И ВЫ ИСПОЛЬЗУЕТЕ ЭТУ БАЗУ ДАННЫХ НА ОТДЕЛЬНЫХ УСЛОВИЯХ ПОСТАВЩИКОВ, ПРИЛАГАЕМЫХ К ДАННОМУ СОГЛАШЕНИЮ (См. стр. 31). ЕСЛИ ВЫ НЕ СОГЛАСНЫ СО ВСЕМИ УСЛОВИЯМИ СОГЛАШЕНИЯ, ПОЖАЛУЙСТА, ВЕРНИТЕ ПРОДУКТЫ КОМПАНИИ PIONEER (ВКЛЮЧАЯ ПРОГРАММНОЕ ОБЕСПЕЧЕНИЕ, И ВСЕ ПИСЬМЕННЫЕ МАТЕРИАЛЫ) В ТЕЧЕНИЕ ПЯТИ (5) ДНЕЙ ПОСЛЕ ПОЛУЧЕНИЯ ПРОДУКТА, ОФИЦИАЛЬНОМУ ДИЛЕРУ КОМПАНИИ PIONEER, У КОТОРОГО ВЫ ЕГО ПРИОБРЕЛИ.

### 1 ПРЕДОСТАВЛЕНИЕ ЛИЦЕНЗИИ

Компания Pioneer предоставляет Вам не подлежащую передаче, неисключительную лицензию на использование программного обеспечения, установленного на продуктах компании Pioneer («Программное обеспечение»), и соответствующую документацию, исключительно для Вашего личного использования или для внутреннего использования в Вашем бизнесе, и только на эти продукты компании Pioneer.

Вы не имеете право копировать, осуществлять реинжиниринг, транслитировать,

переносить на другие платформы, модифицировать Программное обеспечение или выполнять производные работы с ним. Вы не имеете право передавать во временное пользование, сдавать в аренду, раскрывать, публиковать, продавать, передавать другому лицу, сдавать в аренду и в сублицензию, сбывать или иным образом передавать Программное обеспечение или использовать его любым другим образом, не разрешенным в прямой форме данным соглашением. Вы не имеете право раскрывать или пытаться раскрыть исходный текст или структуру всего Программного обеспечения или его части, посредством реинжиниринга, деассемблирования, декомпиляции или любыми другими способами. Вы не имеете право использовать данное Программное обеспечение для работы бюро обслуживания или для любых других целей, включающих обработку данных для других лиц или организаций. Компания Pioneer и его лицензиар(ы) сохраняют за собой все авторские права, секреты фирмы, патенты и другие патентованные права собственности на данное Программное обеспечение. Данное Программное обеспечение охраняется авторским правом, и не может быть перекопировано, даже будучи измененным или объединенным с другими продуктами. Вы не имеете право изменять или удалять любые указания на авторские права, или записи о защите прав собственности, имеющиеся в Программном обеспечении или на нем.

Вы можете передать все свои лицензионные права на Программное обеспечение, соответствующую документацию и копию данного Лицензионного соглашения другой стороне, при условии, что это сторона ознакомится и примет все условия данного Лицензионного соглашения.

## 2 ОТКАЗ ОТ ГАРАНТИИ

Программное обеспечение и связанная с ним документация, предоставляется Вам на условиях «КАК ЕСТЬ». КОМПАНИЯ PIONEER И ЕГО ЛИЦЕНЗИАР(Ы) (с учетом положений 2 и 3, компания Pioneer и его лицензиар(ы), вместе именуются, как "Pioneer") НЕ ДАЮТ, А ВЫ НЕ ПОЛУЧАЕТЕ НИКАКИХ ГАРАНТИЙ, ПРЯМЫХ ИЛИ СВЯЗАННЫХ, А ВСЕ ГАРАНТИИ ТОВАРНОЙ ПРИГОДНОСТИ И СООТВЕТСТВИЯ КОНКРЕТНОЙ ЦЕЛИ В ПРЯМОЙ ФОРМЕ ИСКЛЮЧЕНЫ. НЕКОТОРЫЕ СТРАНЫ НЕ ДОПУСКАЮТ ИСКЛЮЧЕНИЯ СВЯЗАННЫХ ГАРАНТИЙ, В ЭТОМ СЛУЧАЕ ВЫШЕУКАЗАННОЕ ИСКЛЮЧЕНИЕ МОЖЕТ БЫТЬ НЕПРИМЕНИМО К ВАМ. Программное обеспечение сложное и может содержать некоторые несоответствия, дефекты или ошибки. Компания Pioneer не гарантирует, что данное Программное обеспечение будет отвечать вашим запросам и ожиданиям, что работа Программного обеспечения будет безошибочной и бесперебойной, или что все несоответствия могут быть или будут исправлены. Более того, компания Pioneer не делает никаких заявлений и не дает никаких гарантий относительно использования или результатов использования данного Программного обеспечения, в отношении его безошибочности, надежности или во всем остальном.

**3 ОГРАНИЧЕНИЕ ОТВЕТСТВЕННОСТИ** НИ ПРИ КАКИХ ОБСТОЯТЕЛЬСТВАХ, КОМПАНИЯ PIONEER, НЕ НЕСЕТ ОТВЕТСТВЕННОСТИ ЗА ЛЮБОЙ УЩЕРБ, РЕКЛАМАЦИИ ИЛИ ПОТЕРИ, ПОНЕСЕННЫЕ ВАМИ (ВКЛЮЧАЯ, БЕЗ ОГРАНИЧЕНИЙ, ФАКТИЧЕСКИЕ, ПОБОЧНЫЕ, КОСВЕННЫЕ, РЕАЛЬНЫЕ, СВЯЗАННЫЕ ИЛИ ШТРАФНЫЕ УБЫТКИ, УПУЩЕННЫЕ ВЫГОДЫ, ИЗДЕРЖКИ ПОТЕРЯННОГО СБЫТА ИЛИ БИЗНЕСА, РАСХОДОВ, ИНВЕСТИЦИЙ ИЛИ ОБЯЗАТЕЛЬСТВ, ИМЕЮЩИХ ОТНОШЕНИЕ К ЛЮБОМУ БИЗНЕСУ, ПОТЕРЮ ЛЮБОГО «ГУДВИЛА» ИЛИ

УБЫТКИ) В РЕЗУЛЬТАТЕ ИСПОЛЬЗОВАНИЯ ИЛИ НЕВОЗМОЖНОСТИ ИСПОЛЬЗОВАНИЯ ПРОГРАММНОГО ОБЕСПЕЧЕНИЯ, ДАЖЕ ЕСЛИ КОМПАНИЯ PIONEER БЫЛА УВЕДОМЛЕНА, ЗНАЛА ИЛИ ДОЛЖНА БЫЛА ЗНАТЬ О ВЕРОЯТНОСТИ ТАКИХ УБЫТКОВ. ДАННОЕ ОГРАНИЧЕНИЕ РАСПРОСТРАНЯЕТСЯ НА ВСЕ ОСНОВАНИЯ ИСКА В СОВОКУПНОСТИ, ВКЛЮЧАЯ БЕЗ ОГРАНИЧЕНИЙ, НАРУШЕНИЕ КОНТРАКТА, НАРУШЕНИЕ ГАРАНТИИ, ХАЛАТНОСТЬ, СТРОГАЯ ОТВЕТСТВЕННОСТЬ, ИСКАЖЕНИЕ ФАКТОВ И ДРУГИЕ ДЕЛИКТЫ. ЕСЛИ ОТКАЗ ОТ ГАРАНТИИ ИЛИ ОГРАНИЧЕНИЕ ОТВЕТСТВЕННОСТИ КОМПАНИИ PIONEER, УСТАНОВЛЕННЫЕ ДАННЫМ СОГЛАШЕНИЕМ, НЕ МОЖЕТ СЛУЖИТЬ ОСНОВАНИЕМ ДЛЯ ИСКА ПО КАКИМ БЫ ТО НИ БЫЛО ПРИЧИНАМ, ВЫ СОГЛАШАЕТЕСЬ С ТЕМ, ЧТО ОТВЕТСТВЕННОСТЬ КОМПАНИИ PIONEER НЕ ДОЛЖНА ПРЕВЫШАТЬ ПЯТЬДЕСЯТ ПРОЦЕНТОВ (50%) ОТ СТОИМОСТИ, УПЛАЧЕННОЙ ВАМИ ЗА ПРИЛАГАЕМЫЙ ПРОДУКТ КОМПАНИИ PIONEER.

Некоторые страны не разрешают исключения или ограничения побочных или косвенных убытков, поэтому вышеуказанные ограничения или исключения могут быть неприменимы к Вам. Данный отказ от гарантии или ограничение ответственности не распространяется на любые положения данной гарантии, запрещенные законодательством страны или местным законом, которые не могут быть предусмотрены заранее.



#### 4 ГАРАНТИИ ЗАКОНА ОБ ЭКСПОРТЕ

Вы соглашаетесь и подтверждаете, что ни Программное обеспечение, ни любые другие технические данные, полученные от компании Pioneer, ни сам продукт, не будут экспортированы за пределы страны или округа («Страна»), управляемой правительством, под юрисдикцией которой вы находитесь («Правительство») кроме тех случаев, когда это санкционировано и разрешено законами и нормативными актами Правительства. Если Программное обеспечение законно приобретено Вами за пределами Страны, Вы соглашаетесь, что Вы не будете осуществлять реэкспорт Программного обеспечения, или любой другой технической информации от компании Pioneer, или самого продукта, за исключением, если это не разрешено законом и нормативными актами Правительства и законами и нормативными актами юрисдикции страны, где Вы приобрели это Программное обеспечение.

#### 5 ПРЕКРАЩЕНИЕ ДЕЙСТВИЯ СОГЛАШЕНИЯ

Настоящее Соглашение остается в силе до своего прекращения. Вы можете в любое время прекратить действие соглашения, уничтожив Программное обеспечение. Действие Соглашения будет также прекращено, если Вы не выполняете какие-либо условия данного Соглашения. При расторжении Соглашения, Вы соглашаетесь уничтожить Программное обеспечение.

#### 6 ПРОЧЕЕ

Это полное Соглашение между компанией Pioneer и Вами в отношении данного предмета соглашения. Никакие изменения данного Соглашения не действительны, если они не согласованы с компанией Pioneer в письменном виде. Если какие-либо положения настоящего Соглашения объявлены недействительными или не имеющими исковой силы, остальные положения настоя-

щего Соглашения остаются в полной силе и действительны. ■

## УСЛОВИЯ И ПОЛОЖЕНИЯ ДЛЯ ДАННЫХ TELE ATLAS

Данное юридическое соглашение изначально составлено на английском языке и данный перевод предназначен только для того, чтобы способствовать пониманию читателем его содержания. Поэтому следует иметь в виду, что данное переведенное соглашение НЕ имеет юридического соответствия с оригинальным текстом на английском языке.

### Условия лицензионного соглашения для конечного пользователя

ЭТО ЮРИДИЧЕСКОЕ СОГЛАШЕНИЕ («СОГЛАШЕНИЕ») МЕЖДУ ВАМИ, КОНЕЧНЫМ ПОЛЬЗОВАТЕЛЕМ, И КОМПАНИЕЙ PIONEER и ее лицензиарами Продукта для обработки данных (иногда обобщенно именуемых «Лицензиары»). ИСПОЛЬЗУЯ СВОЙ КОМПЛЕКТ ЛИЦЕНЗИРОВАННЫХ ДАННЫХ, ВЫ СОГЛАШАЕТЕСЬ С УСЛОВИЯМИ И ПОЛОЖЕНИЯМИ ДАННОГО СОГЛАШЕНИЯ.

#### 1 Предоставление лицензии.

Лицензиары предоставляют вам не подлежащую передаче, неэксклюзивную лицензию на использование картографических данных и данных по топографическим объектам ("POI"), принадлежащих компании Tele Atlas (совместно именуемых «Данные»), содержащихся на данных дисках, исключительно для личных, некоммерческих целей, но не для использования в какой-либо сервисной службе или какого-либо иного использования, подразумевающего доступ к данным других лиц или организаций. Вы можете создавать одну (1) копию Данных только в виде архива или резервной копии, но вы не можете каким-либо другим образом копировать, вос-

производить, модифицировать, создавать производные продукты, определять структуру или выполнять инженерный анализ Данных. Данные предназначены исключительно для использования с Продуктом (Продуктами) компании PIONEER. Данные содержат конфиденциальные и являющиеся предметом собственности материалы и информацию, и могут содержать коммерческие секреты, поэтому, вы соглашаетесь сохранять конфиденциальность Данных и не раскрывать Данные ни в каком объеме и ни в какой форме, включая передачу в арендное пользование, лизинг, выпуск в обращение, сублицензирование или передачу Данных третьей стороне. Вам в явной форме запрещается пересылать цифровые карты и программы, содержащиеся в Данных, или переносить их на другой носитель данных или компьютер. Вам запрещается удалять или скрывать информацию об авторских правах, торговых марках или ограничениях.

#### 2 Право собственности.

Авторские права на Данные принадлежат компании Tele Atlas и ее Лицензиарам, и они сохраняют за собой все права собственности на Данные. Вы соглашаетесь не изменять, не удалять, не стирать или не искажать смысл каких-либо сведений об авторских правах или письменной информации о правах собственности, содержащихся в Данных или на Данных. Текущие авторские права устанавливаются в приведенном ниже разделе 12.

### 3 Ограничение ответственности.

НИ КОМПАНИЯ TELE ATLAS НИ ЕЕ ПОСТАВЩИКИ НЕ НЕСУТ ОТВЕТСТВЕННОСТИ ПЕРЕД НИЖЕПОДПИСАВШИМСЯ ЗА КАКИЕ-ЛИБО ПОБОЧНЫЕ, СВЯЗАННЫЕ, РЕАЛЬНЫЕ, КОСВЕННЫЕ ИЛИ ШТРАФНЫЕ УБЫТКИ, ВОЗНИКШИЕ В РЕЗУЛЬТАТЕ ДАННОГО СОГЛАШЕНИЯ, ВКЛЮЧАЯ УПУЩЕННЫЕ ВЫГОДЫ ИЛИ НЕПОКРЫТЫЕ РАСХОДЫ, УТРАТУ ВОЗМОЖНОСТИ ЭКСПЛУАТАЦИИ ИЛИ ПЕРЕРЫВ В БИЗНЕСЕ И Т.Д., НЕЗАВИСИМО ОТ ТОГО, БЫЛА ЛИ ДРУГАЯ СТОРОНА ПОСТАВЛЕНА В ИЗВЕСТНОСТЬ О ВОЗМОЖНОСТИ ТАКИХ УБЫТКОВ.

НЕСМОТЯ НА ВСЕ, ЧТОБЫ НИ ПРОТИВОРЕЧИЛО СОДЕРЖАЩЕМУСЯ В ДАННОМ ДОКУМЕНТЕ, КОМПАНИЯ TELE ATLAS НЕ НЕСЕТ МАТЕРИАЛЬНОЙ ОТВЕТСТВЕННОСТИ ПЕРЕД НИЖЕПОДПИСАВШИМСЯ ПО ЛЮБОЙ ПРИЧИНЕ (НЕЗАВИСИМО ОТ ПРОЦЕССУАЛЬНОЙ ФОРМЫ), ПОДПАДАЮЩЕЙ ИЛИ ОТНОСЯЩЕЙСЯ К ДАННОМУ ДОКУМЕНТУ.

### 4 Отказ от гарантийных обязательств.

ДАННЫЕ ПРЕДОСТАВЛЯЮТСЯ НА УСЛОВИИ «КАК ЕСТЬ» И «СО ВСЕМИ ОШИБКАМИ», И КОМПАНИЯ PIONEER, ЕЕ ЛИЦЕНЗИАРЫ, ЕЕ ЛИЦЕНЗИРОВАННЫЕ ДИСТРИБУТОРЫ И ПОСТАВЩИКИ (СОВМЕСТНО ИМЕНУЕМЫЕ «ПОСТАВЩИКИ») В ЯВНО ВЫРАЖЕННОЙ ФОРМЕ ОТКАЗЫВАЮТСЯ ОТ ВСЕХ ДРУГИХ ГАРАНТИЙ, ЯВНЫХ ИЛИ ПОДРАЗУМЕВАЕМЫХ, ВКЛЮЧАЯ, НО НЕ ОГРАНИЧИВАЯСЬ ИМИ, ПОДРАЗУМЕВАЕМЫЕ ГАРАНТИИ НЕНАРУШЕНИЯ ПАТЕНТОВ, ПРИГОДНОСТИ ДЛЯ ПРОДАЖИ, ЭФФЕКТИВНОСТИ, ЗАВЕРШЕННОСТИ, ТОЧНОСТИ, НАИМЕНОВАНИЯ И ПРИГОДНОСТИ ДЛЯ КОНКРЕТНОГО ПРИМЕНЕНИЯ. PIONEER, ЕЕ ЛИЦЕНЗИАРЫ И ПОСТАВЩИКИ НЕ ГАРАНТИРУЮТ ТОГО, ЧТО ДАННЫЕ БУДУТ ОТВЕЧАТЬ ВАШИМ ТРЕБОВАНИЯМ ИЛИ ЧТО ФУНКЦИОНИРОВАНИЕ ДАННЫХ БУДЕТ БЕСПЕРЕБОЙНЫМ И НЕ СОДЕР-

ЖАТЬ ОШИБОК. НИ УСТНОЕ, НИ ПИСЬМЕННОЕ УКАЗАНИЕ, ДАННОЕ КОМПАНИЕЙ PIONEER, ЕЕ ЛИЦЕНЗИАРАМИ, ПОСТАВЩИКАМИ ИЛИ ИХ СОТРУДНИКАМИ, НЕ ЯВЛЯЕТСЯ ОСНОВАНИЕМ ДЛЯ ПРЕДОСТАВЛЕНИЯ ГАРАНТИЙ ИЛИ ПОВЫШЕНИЯ СТЕПЕНИ ОТВЕТСТВЕННОСТИ КОМПАНИИ PIONEER, ЕЕ ЛИЦЕНЗИАРОВ ИЛИ ПОСТАВЩИКОВ КАКИМ-ЛИБО ОБРАЗОМ, И ВЫ НЕ МОЖЕТЕ НИКОИМ ОБРАЗОМ ПОЛАГАТЬСЯ НА ТАКУЮ ИНФОРМАЦИЮ. ЭТОТ ОТКАЗ ОТ ПРЕДОСТАВЛЕНИЯ ГАРАНТИЙ ЯВЛЯЕТСЯ НЕПРЕМЕННОМ УСЛОВИЕМ ДАННОГО СОГЛАШЕНИЯ, И ИСПОЛЬЗОВАНИЕ ВАМИ ДАННЫХ ОЗНАЧАЕТ СОГЛАСИЕ С НИМ.

### 5 Прекращение действия.

Действие данного Соглашения прекратится немедленно, автоматически и без уведомления, если Вы нарушите любое из условий данного Соглашения. Вы соглашаетесь с тем, что в случае расторжения Соглашения Вы должны вернуть Данные (включая всю документацию и все экземпляры) компании PIONEER и ее поставщикам.

### 6 Освобождение от ответственности.

Вы соглашаетесь обеспечивать защиту компании PIONEER, ее Лицензиаров и поставщиков (включая их лицензиаров, поставщиков, правопреемников, дочерние компании, филиалы, служащих, директоров, сотрудников, акционеров, агентов и представителей) от наступления какой бы то ни было ответственности, включая ответственность за убытки и несчастные случаи (включая несчастные случаи, ведущие к гибели), требований, действий, затрат, расходов или претензий любого рода, включая, без ограничений, расходы на услуги адвокатов, являющихся следствием использования или владения Вами Данными.

## 7 Дополнительные условия только в отношении Данных по Великобритании и Северной Ирландии.

- 1 Конечному пользователю запрещается удалять или скрывать информацию об авторских правах, торговых марках или ограничениях, установленные Государственной топографической службой.
- 2 Отказ от всех гарантий Государственной топографической службы, явных или подразумеваемых, включая, помимо прочего подразумеваемые гарантии нарушения патентов, пригодности для продажи, завершенности, точности и пригодности для конкретного применения. Конечный пользователь должен подтвердить, что Государственная топографическая служба не дает никаких гарантий и заявлений о том, что данные Tele Atlas® MultiNet® по Великобритании являются полными, точными и/или актуальными, и обязательным условием данных Условий использования является то, что Конечный пользователь принимает данные Tele Atlas® MultiNet® по Великобритании на указанных условиях. Эти Данные могут включать данные лицензиаров, включая Государственную топографическую службу.
- 3 Отказ от любой ответственности Государственной топографической службы в отношении данных Tele Atlas® MultiNet® по Великобритании.
- 4 Запрет на использование данных Tele Atlas® MultiNet® по Великобритании в любой печатной, публикуемой форме, пригодной для получения коммерческого продукта, для свободного распространения или продажи без предварительного разрешения со стороны Государственной топографической службы.
- 5 Обеспечение защиты Государственной топографической службы от любых исков, претензий или действий, вне зависимости от характера исков, претензий или действий, ссылающихся на

убытки, расходы, затраты, ущербы или несчастные случаи (включая несчастные случаи со смертельными исходами) являющиеся следствием использования вами данных Tele Atlas® MultiNet® по Великобритании.

- 6 Конечный пользователь принимает на себя обязанность предоставлять по запросу Государственной топографической службы информацию о том, какие продукты и/или услуги, содержащие Лицензированные продукты Tele Atlas или производные от них, он производит.
- 7 Конечный пользователь несет ответственность перед Государственной топографической службой в случае обнаружения нарушения вышеупомянутых условий Соглашения. Конечный пользователь принимает на себя обязанность предоставлять по запросу Государственной топографической службы информацию о том, какие продукты и/или услуги, содержащие Лицензированные продукты и/или производные от них, он производит.

### *О проверках*

Права компании Tele Atlas, как определено в настоящем Соглашении, также относятся к аудиторам Государственной топографической службы и/или Национальной аудиторской службы в случае предоставления данных по Великобритании. На любую сумму, подлежащую уплате, начисляется ставка в сумме двух процентов (2%) помимо базовой ставки банка National Westminster Bank plc, действующей на тот или иной момент времени, начиная с даты, когда указанная сумма подлежит уплате, и заканчивая датой оплаты (будь то до или после принятия решения).

Государственная топографическая служба и/или Национальная аудиторская служба должны иметь право на проверку бухгалтерских записей или счетов Конечных пользователей непосредственно или в то же самое время, что Лицензиат, как того требует данное Соглашение с тем, чтобы Государственная топографическая служба имела право на проверку в отношении любого поставщика продуктов и/или провайдера услуг, содержащих Лицензированные продукты Tele Atlas или производные от них.

Таким образом Лицензиат соглашается на то, что в случае обнаружения нарушения вышеупомянутых условий соответствующие Конечные пользователи, нарушившие условия, и Лицензиат будут нести солидарную и индивидуальную ответственность перед Государственной топографической службой.

### **8 Дополнительные условия в отношении Данных только по Норвегии.**

Конечные пользователи не имеют права использовать данные Tele Atlas® MultiNet® по Норвегии для создания коммерческих печатных или цифровых карт общего назначения, идентичных базовым национальным продуктам Картографического управления Норвегии.

### **9 Дополнительные условия в отношении Исключительных полезных объектов ("POI") Tele Atlas®. В отношении Лицензированных продуктов POI Tele Atlas:**

(Следующие условия относятся только к продуктам, которые содержат исключительно полезные объекты Tele Atlas®.)

Конечный пользователь в частности соглашается на то, что он не будет:

(а) за исключением случаев, специально установленных в данном документе, лицензировать или предоставлять иным образом Лицензированные продукты POI Tele Atlas какой-либо третьей стороне с целью

перепродажи, сублицензирования, повторного распространения или с целью составления, улучшения, проверки, дополнения, добавления или удаления из любых списков почтовой рассылки, географических справочников или справочников фирм, справочников предприятий, торговых справочников, тематически объявлений, продаваемых, передаваемых в аренду, публикуемых, предоставляемых или передаваемых каким-либо иным способом третьей стороне;

(b) делать Лицензированные продукты POI Tele Atlas доступными в сетевой среде, за исключением случаев, когда они надлежащим образом защищены и/или зашифрованы с целью предотвращения несанкционированного доступа к Лицензированным продуктам POI Tele Atlas; и

(c) использовать Лицензированные продукты POI Tele Atlas, как целиком, так и частично, в качестве условия при (i) установлении соответствия человека требованиям для получения кредита или страховки; (ii) в связи с подписанием индивидуальной страховки; (iii) оценкой кандидата для трудоустройства или повышении в должности, назначении на новую должность или удержании в качестве сотрудника; (iv) в связи с определением способности человека на получение лицензии или другой привилегии, предоставляемой органом государственной власти; или (v) для ходатайствования родственников покойных.

(d) создавать списки почтовой рассылки или телемаркетинга, если это не разрешено данным Соглашением.

## Лицензионное соглашение

(е) Конечный пользователь должен размещать Лицензированные продукты POI Tele Atlas в сети Интернет с применением брандмауэров и систем управления, обеспечивающих (i) защиту целостности Лицензированных продуктов POI Tele Atlas; (ii) контроль доступа к Лицензированным продуктам POI Tele Atlas и (iii) предотвращающих несанкционированное использование или копирование Лицензированных продуктов POI Tele Atlas.

**10 Дополнительные условия в отношении лицензированного продукта Tele Atlas® Brand Icon Tele Atlas (“Лицензированный продукт Brand Icon Tele Atlas”):** (Следующие условия относятся только к продуктам, которые содержат лицензированный продукт Tele Atlas® Brand Icon Tele Atlas.)

- a Использование Конечным пользователем лицензированного продукта Brand Icon Tele Atlas и любой его части ограничено использованием исключительно в целях повышения стоимости и/или использованием данных пространственного вектора, предоставленных или составленных компанией Tele Atlas. Несмотря на все, что бы ни противоречило содержащемуся в данном документе, или любому дополнению или приложению к нему, ни при каких условиях Конечный пользователь не может использовать Лицензированный продукт Brand Icon Tele Atlas или его какую-либо часть, имеющую отношение или используемую совместно с данными пространственного вектора по улице, предоставленными или составленными стороной, отличной от Tele Atlas. Конечный пользователь может использовать только значки, торговые названия, логотипы, торговые марки или другие элементы, включенные в данные карты (и неотделимые от них). Кроме того, Конечный пользователь не должен модифицировать или изменять цвет, форму,

размер и ориентацию Лицензированного продукта Brand Icon Tele Atlas, предоставленного Конечному пользователю, без предварительного письменного соглашения Tele Atlas.

- b Лицензиат соглашается с тем, что на использование Лицензированного продукта Brand Icon Tele Atlas распространяются условия и положения, установленные в данном Соглашении, и к нему могут применяться дополнительные положения, условия и ограничения для третьей стороны, которые будут распространяться на использование Лицензированного продукта Brand Icon Tele Atlas, предоставленного Конечному пользователю в тот или иной момент времени, указанный Лицензиатом в примечаниях к выпуску, применимых к Коммерческому продукту.
- c В случае вступления Конечного пользователя в какое-либо коммерческое соглашение с целью рекламы, платы за размещение, поддержки или любой аналогичной платной операции маркетинга торгового названия с любыми владельцами (или их представителями) любых значков торгового названия, поставляемых с лицензированным продуктом Brand Icon Tele Atlas, компания Tele Atlas получает не менее двадцати пяти процентов (25%) любой прибыли, полученной в результате данного коммерческого соглашения, если иное не было предварительно согласовано и закреплено в письменном виде обеими сторонами.

**11 Дополнительные условия в отношении лицензированного продукта Tele Atlas® 3D Landmarks Tele Atlas (“3D-ориентиры”):**

(Следующие условия относятся только к продуктам, которые содержат лицензированный продукт Tele Atlas® 3D Landmarks Tele Atlas.)

Лицензиат соглашается включить как можно скорее, но не позднее первого выпуска Коммерческого продукта, последовавшего за получением Лицензиатом любых 3D-ориентиров, любые уведомления об авторском праве, относящиеся к отображению этих ориентиров на каждом Коммерческом продукте и в окне «информации о продукте» Коммерческого продукта. Независимо от ранее сказанного, Tele Atlas имеет право, на свое усмотрение, удалить определенные 3D-ориентеры в последующих выпусках Лицензированного продукта Tele Atlas. В этом случае Лицензиат должен удалить эти 3D-ориентеры из Коммерческого продукта как можно скорее, но не позднее первого нового выпуска Коммерческого продукта, последовавшего за получением Лицензиатом обновления к Лицензированному продукту Tele Atlas. Компания Tele Atlas не несет ответственности за любые возможные ущербы, расходы или затраты, возникшие по вине Лицензиата, и связанные с таким удалением 3D-ориентера компанией Tele Atlas из Лицензированного продукта Tele Atlas или невыполнением удаления 3D-ориентера Лицензиатом из Коммерческого продукта.

## 12 Уведомления об авторском праве.

Лицензиат должен в явной форме отображать каждое применимое и текущее уведомление об авторском праве для Лицензированных продуктов Tele Atlas на начальном экране заставки, в коде, на носителе информации, на упаковке, в разделе «Справка/О продукте», в руководстве по эксплуатации и в любом отображаемом или напечатанном изображении карты, для каждого Коммерческого продукта, на котором он базируется:

- 1 *Tele Atlas® MultiNet® Europe*. По состоянию на дату вступления в действие уведомление об авторском праве имеет следующий вид: «Источник данных © 2009 Tele Atlas B.V.»; и, дополнительно, «базируется на»:

- a *Tele Atlas® MultiNet® данные по Австрии*. По состоянию на дату вступления в действие уведомление об авторском праве имеет следующий вид: «© BEV, GZ 1368/2003.»
- b *Tele Atlas® MultiNet® данные по Дании*. По состоянию на дату вступления в действие уведомление об авторском праве имеет следующий вид: «© DAV, нарушение данного авторского права влечет за собой юридические последствия.»
- c *Tele Atlas® MultiNet® данные по Франции*. По состоянию на дату вступления в действие уведомление об авторском праве имеет следующий вид: «© IGN France.», «Данные Michelin © Michelin 2009»
- d *Tele Atlas® MultiNet® данные по Великобритании (исключая Северную Ирландию)*. По состоянию на дату вступления в действие используется следующее уведомление: Этот продукт включает картографические данные, лицензированные Государственной топографической службой Великобритании с разрешения Генерального контролера по патентам Издательства Ее величества. © Авторские права и/или права на базы данных являются собственностью короны 2009. Все права защищены. Номер лицензии 100026920.
- e *Tele Atlas® MultiNet® данные по Северной Ирландии*. По состоянию на дату вступления в действие уведомление об авторском праве имеет следующий вид: «Государственная топографическая служба Северной Ирландии.»

## Лицензионное соглашение

- f Tele Atlas® MultiNet® данные по Норвегии. По состоянию на дату вступления в действие уведомление об авторском праве имеет следующий вид: "© Картографическое управление Норвегии, управление дорог общественного пользования / © Mapsolutions."
- g Tele Atlas® MultiNet® данные по России. По состоянию на дату вступления в действие уведомление об авторском праве имеет следующий вид: "© Роскартография"
- h Tele Atlas® MultiNet® данные по Швейцарии. По состоянию на дату вступления в действие уведомление об авторском праве имеет следующий вид: "© Swisstopo."
- i Tele Atlas® MultiNet® данные по Нидерландам. По состоянию на дату вступления в действие уведомление об авторском праве имеет следующий вид: "Topografische ondergrond Copyright © dienst voor het kadaster en de openbare registers, Apeldoorn 2006."

обязуетесь обеспечить соответствие применимым экспортным законам. Если какое-либо положение или часть положения данного Соглашения теряет юридическую силу, действительность или законность, то такое положение или его часть удаляются из Соглашения, а остальной объем Соглашения не теряет юридической силы, остается действительным и законным в максимально возможной степени. Любые примечания к настоящему Соглашению должны доставляться курьером в компанию PIONEER, Юридический отдел. ■

### 13 Разное.

Настоящее Соглашение Лицензиаром и вами является эксклюзивным и полным. Ни одно из положений настоящего Соглашения не подразумевает создание совместного предприятия, товарищества или формирования отношений типа начальник-агент между Лицензиаром и вами. Разделы 2, 5 и 7 - 12 не теряют свою силу после истечения срока действия и расторжения настоящего Соглашения. Только компания PIONEER имеет право изменить, дополнить или внести поправки в настоящее Соглашение. Запрещается переуступать права и обязанности по настоящему Соглашению без предварительного письменного согласия компании PIONEER'. Вы подтверждаете и понимаете, что к Данным могут применяться ограничения к вывозу, и



## О данных для базы данных карт

- Изменения расположения дорог, улиц/шоссе, рельефа, строительства и прочие события, произошедшие в период разработки, могут не отразиться в базе данных. Такие изменения определенно не будут отображены в базе данных по истечении этого периода.
- Кроме существующих и вновь построенных объектов, данные могут отличаться от фактических условий.
- Более подробная информация о наличии карт для данной навигационной системы содержится на нашем сайте.
- Строго запрещено воспроизведение, и использование любой части или всей карты в любой форме без разрешения владельца авторского права.
- Если местные правила дорожного движения или условия отличаются от этих данных, соблюдайте местные правила дорожного движения (такие как знаки, указатели и пр.) и условия (такие как здания, погода и т.д.).
- Данные о правилах дорожного движения, используемые в базах данных карт, применимы только к пассажирским автомобилям стандартных размеров. Обратите внимание на то, что крупногабаритные автомобили, мотоциклы и другие нестандартные автомобили не включены в это базу данных.
- Версия карты, Tele Atlas. Выпуск 06/2009. ■

## Важные сведения о безопасности



### ПРЕДУПРЕЖДЕНИЕ

- Не пытайтесь самостоятельно устанавливать или обслуживать навигационную систему. Установка или обслуживание навигационной системы лицами, не имеющими подготовки и опыта работы с электронным оборудованием и автомобильными дополнительными принадлежностями, может быть опасной и может привести к поражению электрическим током или другим опасностям.
- При попадании жидкости или инородных частиц внутрь навигационной системы необходимо припарковать автомобиль в безопасном месте и немедленно выключить зажигание (ACC OFF), затем связаться с дилером или ближайшим авторизованным сервисным центром Pioneer. Запрещается эксплуатировать навигационную систему в таких условиях. Это может привести к возгоранию, удару током или ранению.
- Если вы заметили дым, необычные звуки или запах, производимые навигационной системой, или другие нехарактерные признаки на ЖК-экране, немедленно отключите электропитание и свяжитесь с дилером или ближайшим авторизованным сервисным центром Pioneer. Использование навигационной системы в таких условиях может привести к постоянному повреждению системы.
- Запрещается демонтировать или модифицировать навигационную систему, так как в ее состав входят компоненты, работающие под высоким напряжением, вмешательство в которые может привести к удару током. Информацию о внутреннем контроле, выполнении регулировок или ремонта можно получить у дилера или в ближайшем авторизованном сервисном центре Pioneer.
- Не допускайте попадания жидкостей на изделие. Это может привести к электрическому удару. Попадание жидкостей может

привести к повреждениям, возникновению дыма и перегреву изделия.



### ВНИМАНИЕ

- После расчета маршрута сам маршрут и голосовая навигация для него будут установлены автоматически. Также, что касается ограничений движения, связанных с днем или временем, будет учтена только информация, доступная на момент расчета маршрута. Улицы с односторонним движением и перекрытые улицы могут быть не учтены. Например, если улица открыта только утром, а вы проезжаете позже, это может противоречить ограничениям движения, поэтому вы не можете двигаться по установленному маршруту. Во время движения следуйте указаниям реальных дорожных знаков. Кроме того, система может не иметь информации о некоторых ограничениях движения.
- Запрещается устанавливать навигационную систему в местах, подвергающихся воздействию высоких температур или влажности, например в местах:
  - ближайших к отопительным, вентиляционным отверстиям или диффузорам кондиционера.
  - на которые попадают прямые солнечные лучи, например, на поверхности приборной панели или на задней полке.
  - на которые может попадать дождь, например, возле двери или на полу автомобиля.

Перед началом использования навигационной системы обязательно прочтите и полностью усвойте следующие сведения о безопасности:

- Полностью прочитайте руководство перед использованием данной навигационной системы.

## Важные сведения о безопасности

- ❑ Навигационные функции данной системы предназначены исключительно для того, чтобы помочь Вам в управлении автомобилем. Они не являются заменой Вашей внимательности, рассудительности и осмотрительности во время движения.
- ❑ Не используйте данную навигационную систему, если это может отвлечь Ваше внимание от безопасного управления автомобилем. Всегда соблюдайте правила безопасного вождения и все существующие правила дорожного движения. Если у Вас возникли сложности с управлением системы или с чтением информации с дисплея, припаркуйте автомобиль в безопасном месте и поставьте его на стояночный тормоз прежде, чем выполнить необходимые регулировки.
- ❑ Никогда не позволяйте другим людям использовать данную систему, если они не ознакомились и не поняли данное руководство по эксплуатации.
- ❑ Никогда не используйте данную навигационную систему в чрезвычайных ситуациях для поездки в больницу, полицейский участок или подобные учреждения. Прекратите использование любых функций, связанных с беспроводной гарнитурой телефона и позвоните по соответствующему номеру экстренной службы.
- ❑ Сведения о маршруте и указания по движению, отображаемые на дисплее данного оборудования, носят исключительно справочный характер. Они могут неточно отображать текущие разрешенные маршруты, дорожные условия, улицы с односторонним движением, тупиковые улицы или ограничения движения.
- ❑ Ограничения движения и текущие предупреждения об опасности должны всегда иметь приоритет перед указаниями по движению, которые даются навигационной системой. Всегда соблюдайте действующие ограничения по движению, даже если навигационная система дает противоположное указание.
- ❑ Если местное время установлено неправильно, это может привести к тому, что навигационная система будет предлагать ошибочный маршрут и указания по движению.
- ❑ Никогда не устанавливайте громкость навигационной системы настолько высоко, что Вы не сможете слышать то, что происходит вокруг Вас на дороге и сигналы автомобилей технической помощи.
- ❑ В целях повышения безопасности, некоторые функции отключаются до тех пор, пока автомобиль не будет остановлен и/или не будет установлен на стояночный тормоз.
- ❑ Данные, содержащиеся во встроенной памяти, являются интеллектуальной собственностью провайдера, который несет ответственность за их содержание.
- ❑ Держите под рукой данное руководство в качестве справочника для получения сведений о способах эксплуатации и безопасности.
- ❑ Обратите особое внимание на все предупреждения данного руководства, и точно следуйте всем указаниям.
- ❑ Не устанавливайте систему навигации в таких местах, где она может (i) затруднять обзор водителю, (ii) ухудшить работу любых систем управления автомобилем или систем безопасности, включая подушки безопасности или кнопки аварийной сигнализации, или (iii) ухудшать возможность водителя безопасно управлять автомобилем.
- ❑ Не забывайте пристегивать ремни безопасности во время движения автомобиля. В случае попадания в аварию травмы могут оказаться более серьезными, если ремень не был правильно пристегнут.

## Важные сведения о безопасности

- ❑ Обязательно прикрепляйте съемное устройство к основному блоку во время использования в автомобиле. Использование съемного устройства, не прикрепленного надежно к основному блоку, может привести к его повреждению в результате внезапной остановки.
- ❑ Никогда не пользуйтесь наушниками во время движения.


## Меры предосторожности для съемного устройства

### ВНИМАНИЕ

- Запрещается оставлять съемное устройство в местах, где оно может подвергнуться воздействию высоких температур или влажности, например в местах:
  - ближайших к отопительным, вентиляционным отверстиям или диффузорам кондиционера.
  - на которые попадают прямые солнечные лучи, например, на поверхности приборной панели или на задней полке.
  - на которые может попасть дождь, например, возле двери или на полу автомобиля.
- Соблюдайте осторожность, чтобы не прикасаться к разъемам на съемном устройстве или на основном блоке. Это может привести к нарушению соединения. В случае загрязнения каких-либо разъемов, протрите их чистой сухой тканью.
- Перед снятием съемного устройства выключите зажигание (ACC OFF).
- Во время прикрепления съемного устройства обязательно прикрепите его к основному блоку перед включением зажигания (ACC ON).
- После снятия съемного устройства храните его в безопасном месте, чтобы не подвергать царапинам или повреждениям. Покидая автомобиль, обязательно снимайте съемное устройство с основного блока и забирайте с собой.

- Ни в коем случае не прилагайте силу во время снятия или прикрепления.
- Не подвергайте съемное устройство сильным ударам.

## Зарядка батареи съемного устройства

- ❑ Выполнение зарядки невозможно, если температура выходит за границы диапазона температуры зарядки.
  - Диапазон рабочей температуры батареи составляет от 0 °C до +55 °C.
  - Диапазон температуры зарядки батареи составляет от -20 °C до +60 °C.
- ❑ Батарея съемного устройства заряжается в следующих случаях.
  - Во время прикрепления съемного устройства к основному блоку и подключения навигационной системы к AV-ресиверу при включенном зажигании (ACC ON).
  - При подключении съемного устройства к ПК.
- ❑ Срок службы батареи ограничен. При повторных зарядках емкость заряда батареи будет уменьшаться. Если емкость заряда батареи очень маленькая, возможно срок службы батареи подошел к концу. Обратитесь к Вашему дилеру или в ближайший уполномоченный сервисный центр Pioneer и замените ее на новую батарею.
- ❑ Если батарея полностью разрядится или если температура выйдет за границы диапазона температуры зарядки, система не сможет загрузиться до тех пор, пока не начнется зарядка батареи. В этом случае для загрузки системы может потребоваться несколько минут.
- ❑ Если навигационная система не загрузится через некоторое время и индикатор питания не загорится, может потребоваться замена батареи. Свяжитесь с ближайшим авторизованным сервисным центром Pioneer. 

## Функция Есо-вождения

- ❑ Вычисленное значение расхода топлива основывается на теоретическом значении, определенном в зависимости от скорости автомобиля и информации о положении, полученной от навигационной системы. Отображаемое значение расхода топлива представляет собой справочную величину и достижение отображаемого значения расхода топлива не гарантируется.
- ❑ Функции Есо-вождения используются для приблизительного расчета отношения текущего расхода топлива к среднему расходу топлива, а не его действительного значения.
- ❑ При определении данного значения с помощью функций и расчетов Есо-вождения учитывается местоположение GPS и скорость автомобиля.
- ❑ Показания данного устройства могут отличаться от действительных значений.
- ❑ Некоторые функции данного устройства не учитывают тип автомобиля, на котором оно установлено. ■

являются определенными. Выбирайте скоростной режим в соответствии с фактическими ограничениями скорости. ■

## Учет стоимости топлива

Эти расчеты основываются только на предоставленной вами информации, а не на каких-либо данных автомобиля. Отображаемое значение расхода топлива представляет собой справочную величину и достижение отображаемого значения расхода топлива не гарантируется. ■

## Индикация ограничения скорости

Информация об ограничениях скорости содержится в базе данных карты. Скоростные ограничения базы данных могут не соответствовать фактическим ограничениям текущей дороги. Данные значения не

## Блокировка стояночного тормоза

Данная навигационная система получает информацию о состоянии стояночного тормоза от подключенного AV-ресивера.

Использование некоторых функций навигационной системы (например, функций некоторых клавиш сенсорной панели) во время управления автомобилем может быть опасно и/или незаконно. Во избежание использования данных функций во время движения автомобиля используется система блокировки, которая реагирует на установку стояночного тормоза и движение автомобиля. При попытке использования этих функций во время управления автомобилем, они будут отключены до тех пор, пока автомобиль не будет остановлен в безопасном месте и не будет задействован стояночный тормоз. Перед тем как отпустить стояночный тормоз, нажмите педаль тормоза.

□ Используя стояночный тормоз для активации других функций, предлагаемых навигационной системой, припаркуйте автомобиль в безопасном месте. Находясь на склоне, прежде чем отпустить стояночный тормоз, нажмите педаль тормоза. В противном случае, в случае отпускания стояночного тормоза автомобиль может начать движение. □

## Во избежание разрядки аккумуляторных батарей

Во время использования продукта автомобиль должен быть заведен. Использование продукта при незапущенном двигателе может привести к полной разрядке аккумуляторной батареи.



### ПРЕДУПРЕЖДЕНИЕ

Не устанавливайте данную систему в автомобилях, на стартере которых отсутствует положение ACC. □

## Использования слота для SD-карты

Карта памяти SD и карта памяти SDHC вместе именуются как “карта памяти SD”.



### ВНИМАНИЕ

- Храните карту памяти SD вне доступа маленьких детей, чтобы избежать случайного проглатывания.
- Во избежание утери и повреждения данных, сохраненных в устройстве памяти, не извлекайте его из навигационной системы во время передачи данных.
- Если по каким-либо причинам произойдет утрата или искажение данных, содержащихся в устройстве памяти, как правило, их восстановление будет невозможно. Компания Pioneer не несет ответственности за повреждения, затраты и расходы, возникшие вследствие утраты или искажения данных.
- Запрещается загружать и извлекать карту памяти SD во время движения. □

## Обращение с USB-портом (Mini-B)


- USB-порт (Mini-B) на съемном устройстве предназначен только для подключения съемного устройства к ПК. Система не сможет распознать подключенное устройство памяти USB в случае подключения его к USB-порту.

**ВНИМАНИЕ**

- Во избежание утери и повреждения данных на карте памяти SD, ни в коем случае не извлекайте ее из ПК во время передачи данных.
- Если по каким-либо причинам произойдет потеря или искажение данных на карте памяти SD, как правило, их восстановление будет невозможно. Компания Pioneer не несет ответственности за ущерб, затраты и расходы, возникшие вследствие потери или искажения данных. ▣


## Перед эксплуатацией системы изучите приведенную ниже информацию

### В случае неисправности

При возникновении неполадок в работе данного устройства, свяжитесь со своим дилером или ближайшим авторизованным пунктом сервисного обслуживания компании Pioneer. 

### Посетите наш веб-сайт

Посетите нас по следующему адресу:  
<http://www.pioneer.eu>

- Зарегистрируйте Ваше изделие. Мы обязуемся сохранить информацию о покупателе данного товара, которую можно будет получить при предъявлении страхового иска в случае утери или кражи.
- Последняя информация о Pioneer Corporation предлагается на нашем веб-сайте. 

### Информация об изделии



#### Примечания

- В соответствии со статьей 5 закона Российской Федерации "О защите прав потребителей" и постановлением правительства Российской Федерации № 720 от 16.06.97 компания Pioneer Europe NV оговаривает следующий срок службы изделий, официально поставляемых на российский рынок. Автомобильная электроника: 6 лет  
Прочее (наушники, микрофон и т.д.): 5 лет
- Произведено в Китае.



### Входящий в комплект CD-ROM

#### Операционная среда

Входящий в комплект CD-ROM совместим с Microsoft® Windows® 2000/XP и Apple Mac OS X 10.4.

Для чтения руководств на CD-ROM требуется программа Adobe Reader (Версия 4.0 или более поздняя версия).

#### Рекомендации по использованию

CD-ROM предназначен только для использования в персональном компьютере. Он не подлежит использованию в других DVD/CD плеерах или приводах. Попытка воспроизвести CD-ROM на таком оборудовании может привести к повреждению динамиков или слуха в связи с очень громким уровнем звука.

#### Лицензия

Перед использованием данного CD-ROM необходимо принять условия *Условия эксплуатации*, представленные ниже. Не используйте данное изделие, если вы не согласны с условиями его эксплуатации.

#### Условия эксплуатации

Авторские права на данные, содержащиеся на CD-ROM, принадлежат Pioneer Corporation. Несогласованная передача, копирование, трансляция, публичная передача, перевод, продажа, сдача в аренду или другие действия, выходящие за рамки "персонального использования" или "цитирования" в соответствии с определениями, изложенными в Законе об Авторском праве, подвергаются преследованию. Разрешение на использование данного CD-ROM выдается в соответствии с лицензией Pioneer Corporation.



## Перед эксплуатацией системы изучите приведенную ниже информацию

### Отказ от общей ответственности

Pioneer Corporation не гарантирует работу CD-ROM на персональных компьютерах, на которых используются применимые операционные системы. Также компания Pioneer Corporation не несет ответственности за повреждения, возникшие в результате использования CD-ROM, а также за выплату любых компенсаций.



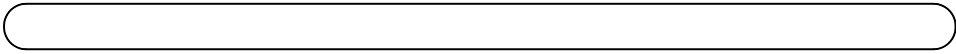
### Примечание

Если CD-ROM используется на компьютере с операционной системой Mac OS, вставьте CD-ROM в CD-привод и дважды нажмите на значок CD-ROM, чтобы запустить приложение. ▣

**Наименование частных корпораций, продуктов и других объектов, упомянутых в документе, являются зарегистрированными торговыми марками соответствующих фирм.**

⇒ Для получения более подробной информации см. Руководство по эксплуатации. ▣





**<http://www.pioneer.eu>**

Visit **[www.pioneer.co.uk](http://www.pioneer.co.uk)** (or **[www.pioneer.eu](http://www.pioneer.eu)**) to register your product.

Visite **[www.pioneer.es](http://www.pioneer.es)** (o **[www.pioneer.eu](http://www.pioneer.eu)**) para registrar su producto.

Zum Registrieren Ihres Produktes besuchen Sie bitte **[www.pioneer.de](http://www.pioneer.de)** (oder **[www.pioneer.eu](http://www.pioneer.eu)**) .

Visitez **[www.pioneer.fr](http://www.pioneer.fr)** (ou **[www.pioneer.eu](http://www.pioneer.eu)**) pour enregistrer votre appareil.

Si prega di visitare il sito **[www.pioneer.it](http://www.pioneer.it)** (o **[www.pioneer.eu](http://www.pioneer.eu)**) per registrare il prodotto.

Bezoek **[www.pioneer.nl](http://www.pioneer.nl)** (of **[www.pioneer.eu](http://www.pioneer.eu)**) om uw product te registreren.

Посетите **[www.pioneer-rus.ru](http://www.pioneer-rus.ru)** (или **[www.pioneer.eu](http://www.pioneer.eu)**) для регистрации приобретенного Вами изделия.

## **PIONEER CORPORATION**

1-1, Shin-ogura, Saiwai-ku, Kawasaki-shi,  
Kanagawa 212-0031, JAPAN

## **Корпорация Пайонир**

1-1, Син-Огура, Сайвай-ку, г. Кавасаки,  
префектура Канагава, 212-0031, Япония

## **PIONEER ELECTRONICS (USA) INC.**

P.O. Box 1540, Long Beach, California 90801-1540, U.S.A.  
TEL: (800) 421-1404

## **PIONEER EUROPE NV**

Haven 1087, Keetberglaan 1, B-9120 Melsele, Belgium/Belgique  
TEL: (0) 3/570.05.11

## **Импортер ООО "ПИОНЕР РУС"**

125040, Россия, г. Москва,  
ул. Правды, д.26  
Тел.: +7(495) 956-89-01

Published by Pioneer Corporation.

Copyright © 2010 by Pioneer Corporation.  
All rights reserved.

Издано Pioneer Corporation.

Авторское право © 2010 Pioneer Corporation.

Все права защищены.

Printed in China

Отпечатано в Китае

<CZR5372-A> UW

<KMZZX> <10C00000>